

PAH450S48

C247-01-01

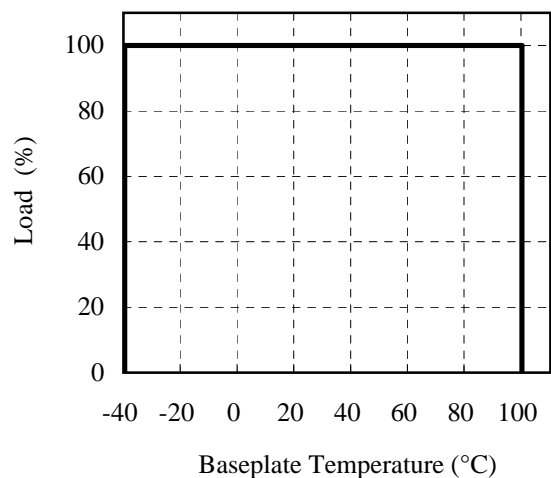
SPECIFICATIONS

ITEMS		MODEL	PAH450S48-28	PAH450S48-48
1	Nominal Output Voltage	V	28	48
2	Maximum Output Current	A	16	9.4
3	Maximum Output Power	W	448	451.2
4	Efficiency (Typ.)	(*1) %	92	92
5	Input Voltage Range	-	36 - 76 VDC	
6	Input Current (Typ.)	(*2) A	10.3	10.4
7	Output Voltage Accuracy	(*2) %	±1	
8	Output Voltage Range	(*10) -	-40%, +18%	-40%, +20%
9	Maximum Ripple & Noise	(*10) mV	280	480
10	Maximum Line Regulation	(*3) mV	56	96
11	Maximum Load Regulation	(*4) mV	56	96
12	Over Current Protection	(*5) -	105% - 140%	
13	Over Voltage Protection	(*6)(*9) -	125% - 145%	
14	Remote Sensing	(*9) -	Possible	
15	Remote ON/OFF Control	(*9) -	Possible (SHORT : ON OPEN : OFF)	
16	Parallel Operation	(*9) -	Possible	
17	Series Operation	(*9) -	Possible	
18	Operating Temperature	(*7) -	-40°C - +100°C(Baseplate) Ambient Temperature min=-40°C	
19	Operating Humidity	-	5 - 95%RH (No Dewdrop)	
20	Storage Temperature	-	-40°C - +100°C	
21	Storage Humidity	-	5 - 95%RH (No Dewdrop)	
22	Cooling	(*8) -	Conduction Cooled	
23	Temperature Coefficient (%)	-	0.02%/°C	
24	Withstand Voltage	-	Input-Baseplate : 1.5kVDC, Input-Output : 1.5kVDC for 1min. Output-Baseplate : 500VDC for 1min.	
25	Isolation Resistance	-	More than 100MΩ at 25°C and 70%RH Output-Baseplate...500VDC	
26	Vibration	-	At No Operating, 10-55Hz (Sweep for 1min.) Amplitude 0.825mm Constant (Maximum 49.0m/s ²) X,Y,Z 1 hour each	
27	Shock	-	196.1m/s ²	
28	Weight (Typ.)	g	100	
29	Size (W x H x D)	mm	61 x 12.7 x 57.9 (Refer to Outline Drawing)	

=NOTES=

- *1. At 48VDC, 80% of Maximum Output Current and
Baseplate Temperature = +25°C.
- *2. At 48VDC and Maximum Output Current.
Baseplate Temperature = +25°C.
- *3. 36 - 76VDC, Constant Load.
- *4. No load - Full load, Constant input voltage.
- *5. Constant current limiting with automatic recovery.
- *6. Inverter shutdown method, Manual Reset.
- *7. Ratings - Refer to Derating Curve on the Right.
- Load(%) is Percent of Maximum Output
Current.
- Refer to Instruction Manual.
- *8. Heatsink has to be Chosen According to Instruction
Manual.
- *9. Refer to Instruction Manual.
- *10 External Components are Needed for Operation.
(Refer to Basic Connection and Instruction Manual)

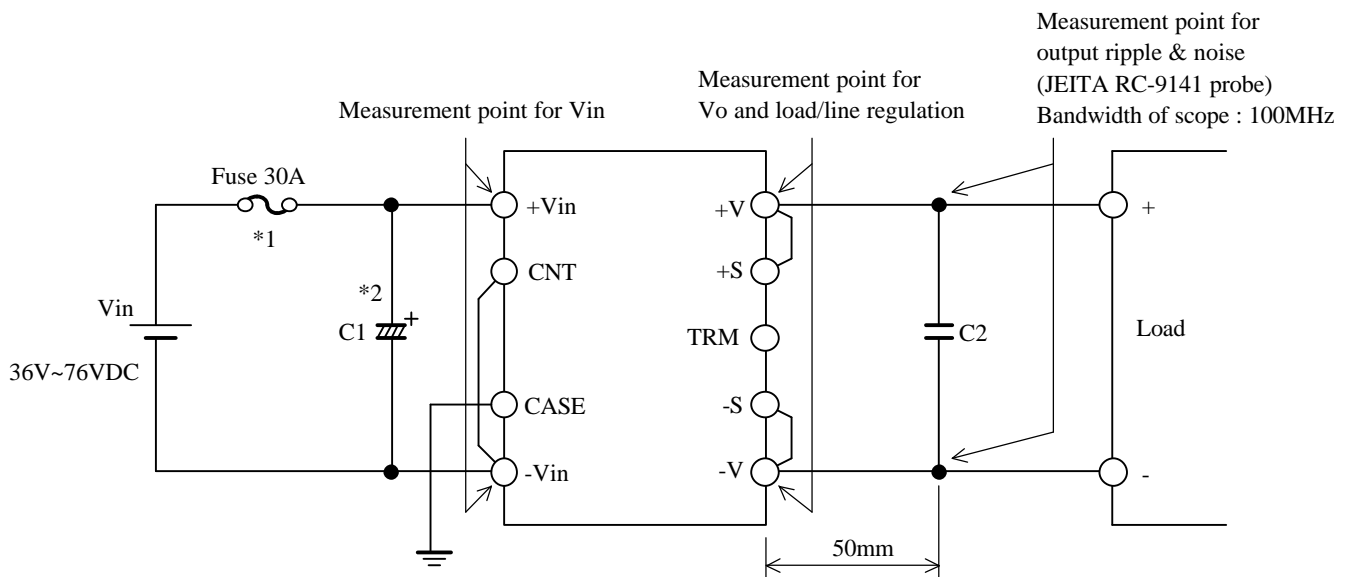
Derating Curve



PAH450S48

C247-01-02B

BASIC CONNECTION



==NOTES==

*1. Use an external fuse (fast blow type) for each unit.

*2. Put input capacitor.

C1: 100 μ F electrolytic capacitor

If the ambient temperature is less than -20°C , use 2 pieces of the recommend capacitor above.

If the impedance of input line is high, C1 capacitance must be more than above.

*3. Put output capacitors.

C2: Ceramic capacitor

model	C2 capacitance
PAH450S48-28	22 μ F*4parallel
PAH450S48-48	4.7 μ F*6parallel

*4. Refer to instruction manual for further details.

2. OPTION TABLE

Option	Mounting holes
Standard	M3 threaded
/T	$\phi 3.4 \pm 0.1$ unthreaded