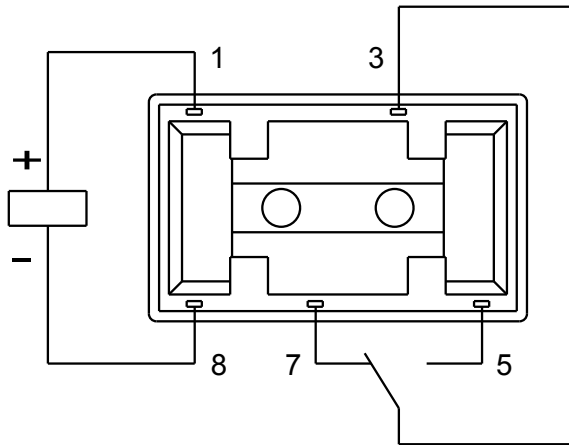
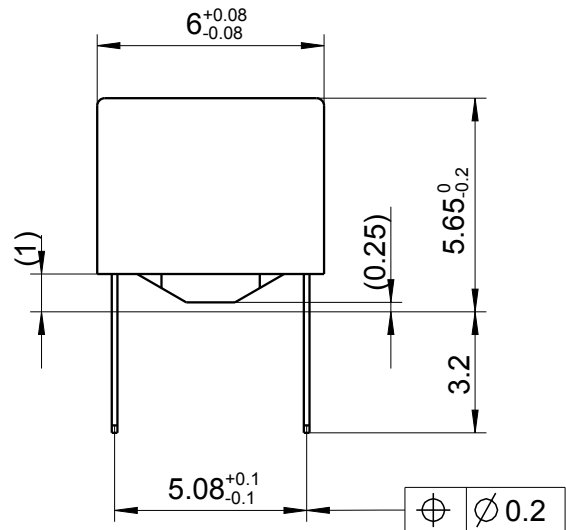
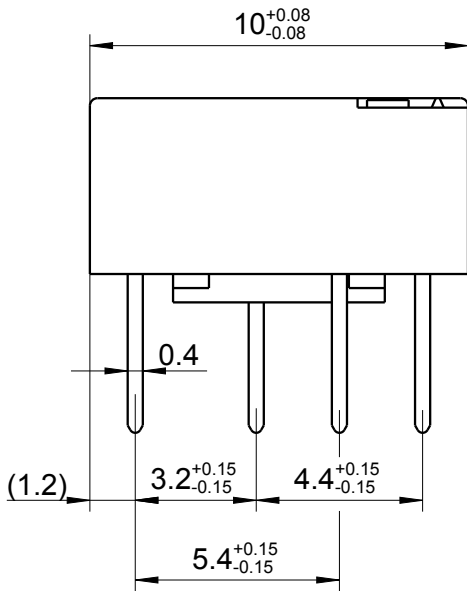


LOC	DIST	REVISIONS					
		P	LTR	DESCRIPTION	DATE	DWN	APVD
HJ	-		A2	REVISED PER ECO-11-005150	25MAR2011	UKo	AK
			A3	REVISED PER ECR-13-014508 (TE-Logo)	16SEP2013	UKo	AK



Relay - bottom view



XX = Relay type
 zz = nominal voltage
 YYWW = Date code

RELEASED FOR PUBLICATION

ALL RIGHTS RESERVED.

THIS DRAWING IS UNPUBLISHED.

© COPYRIGHT 2008

DIMENSIONS: mm	DWN	18JUN2008	MATERIAL	-	FINISH	-
	UKo 9193					
TOLERANCES UNLESS OTHERWISE SPECIFIED: DIN 7168-m	CHK	18JUN2008	TE Connectivity			
	HD 9121					
0 PLC ± 1 PLC ± 2 PLC ± 3 PLC ± 4 PLC ± ANGLES ±	APVD	18JUN2008	NAME IMC-Relay THT (1 Form C) Dimensions			
	HD 9121					
	PRODUCT SPEC	-	SIZE	A4	CAGE CODE	00779
	APPLICATION SPEC	-	DRAWING NO	C-1462042-1		RESTRICTED TO
	WEIGHT	-	CUSTOMER DRAWING			
			SCALE	5:1	SHEET	1 OF 1
					REV	A3