

Product Change Notice: EV Series And EP Series Relays

PCN.PGA10.08.17.2017

08.17.2017

About This Notice:

Panasonic announces that both EP Series and EV Series Relays have the following changes on EP 20A (TM Type), 80A, 300A Relay & EV 120A and Quiet Type (Vertical type) to improve the strength of the Relay.

Two major changes:

1. Change of Mounting Method: Mounting Method for the mounting pipe will change from "press fitting method" to "insertion molding method". There will be no change of the dimensions.
2. Change of Mounting Method & External Dimensions: For EV/EP 80A Relay, EV 120A Relay and Quiet Type there is change of mounting method & identification. Therefore, there will be change in the external dimension.

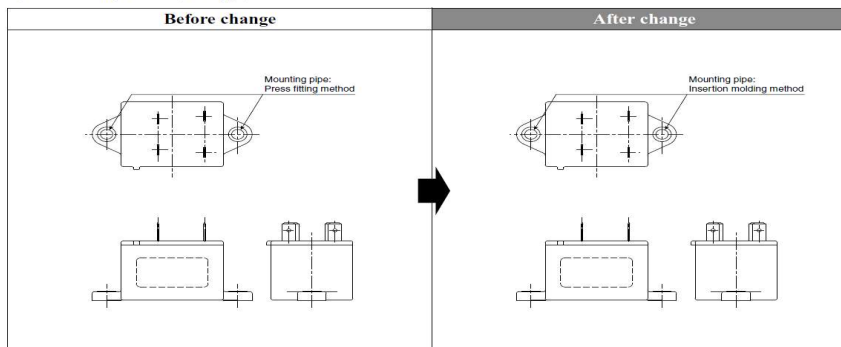
Products	Series	Part No.	Change of mounting method	Change of the external dimensions
EP relays	20 A (TM type)	AEP520○○	○	—
	80 A	AEP180○○	○	○
	300 A	AEP190○○	○	—
EV relays	20 A (TM type)	AEV520○○	○	—
	80 A	AEV180○○	○	○
	120 A	AEV140○○	○	○
	300 A	AEV190○○	○	—
	Quiet type (Vertical type)	AEVS160○○	○	○

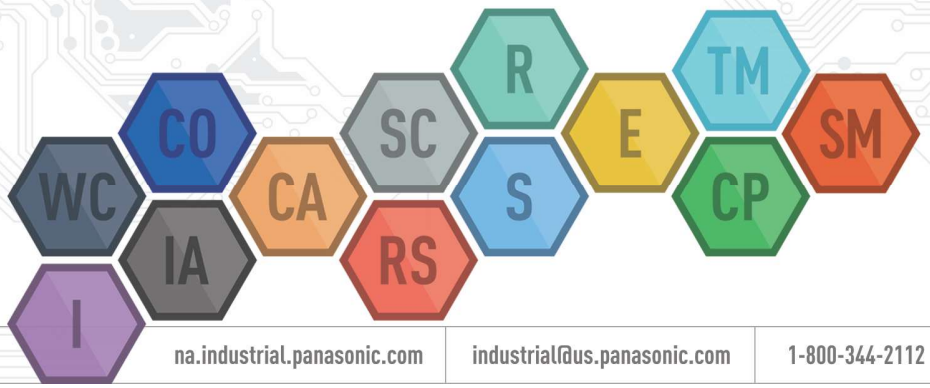
Effective Date:

October 1, 2017 (From October 2017 production onwards)
EV 300A Type, change will take place from December, 2017

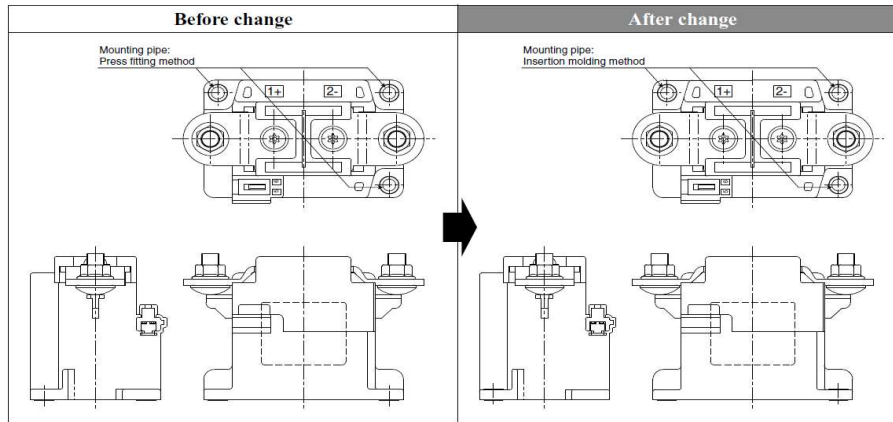
Change Details:

1) EV/EP relays 20 A (TM type)

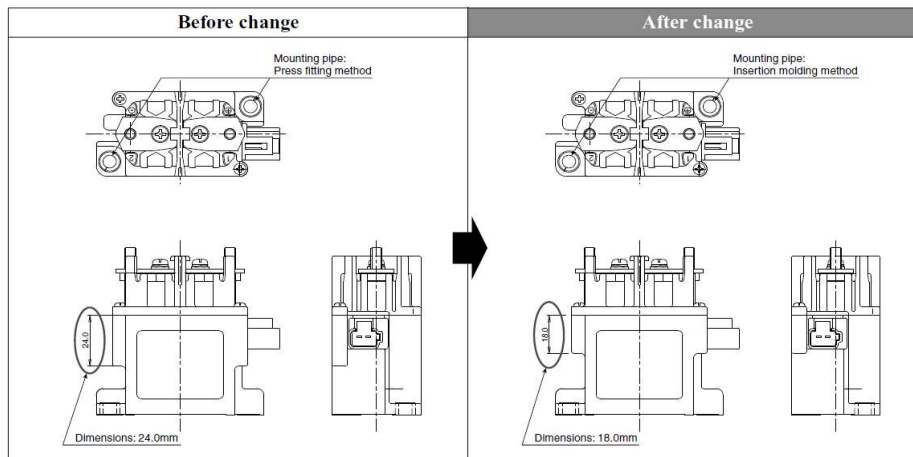


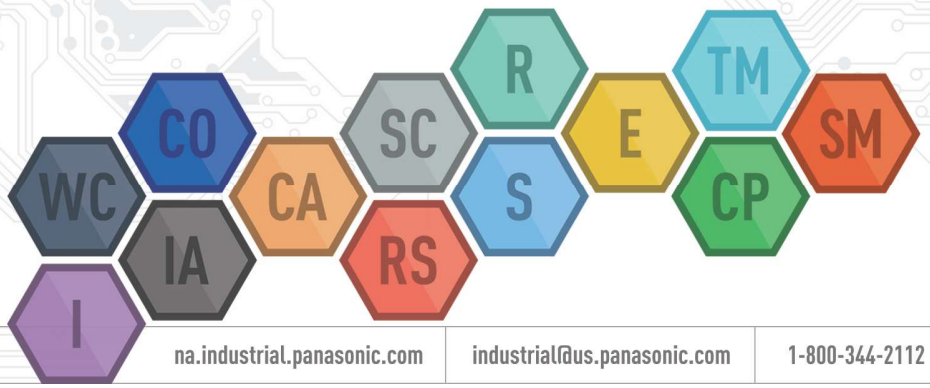


2) EV/EP relays 300 A

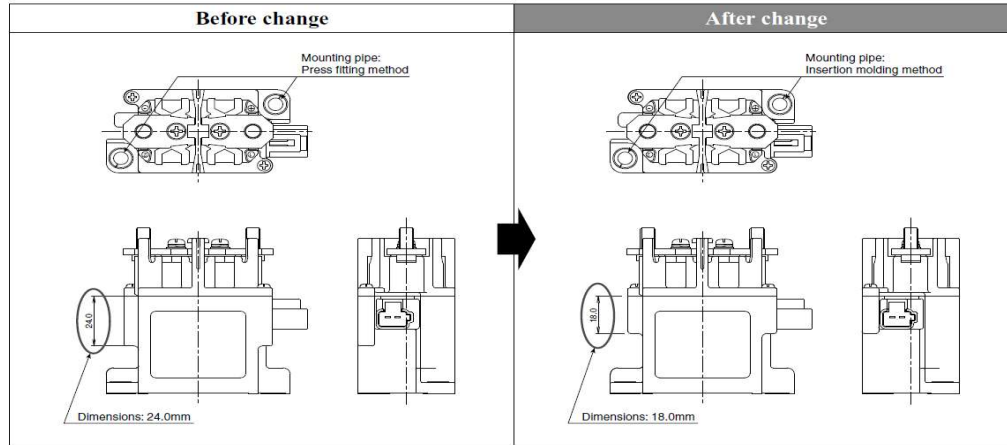


1) EV/EP relays 80 A type

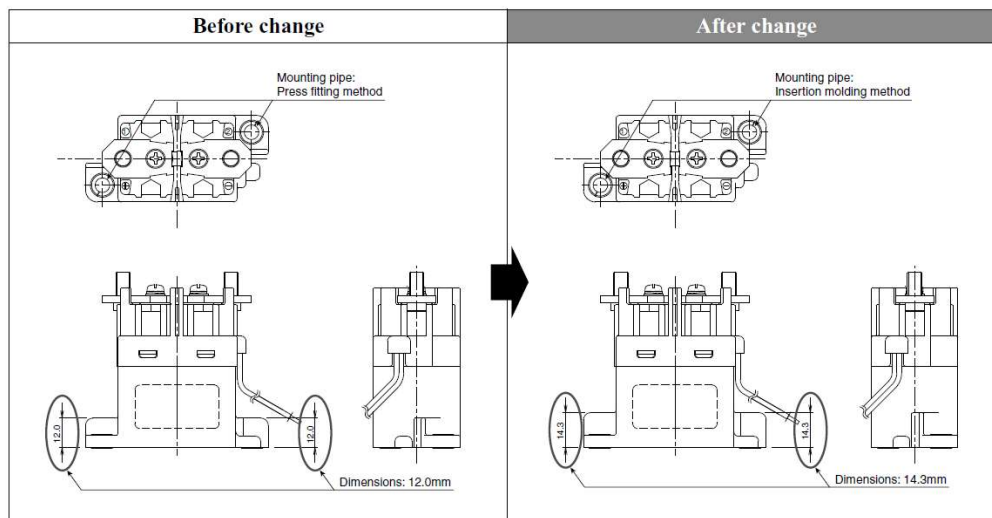




2) EV relays 120 A type



3) EV relays Quiet type (Vertical type)



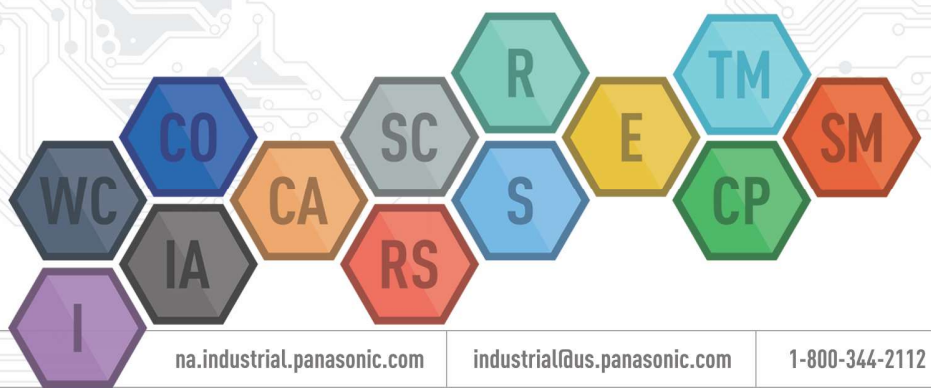
**Affected
Parts:**

See attached.

Datasheet(s):

See attached.

Panasonic



na.industrial.panasonic.com

industrial@us.panasonic.com

1-800-344-2112

Notes: