

**N° 1116-DISTI42-C4002348**

**Dear Customer,**

With this INFINEON Technologies Information Note we would like to inform you about the following

## **Correction of Package Outline Dimension (POD) in Product Datasheet- Revised**

Infineon Technologies AG  
Postal Address Headquarters: Am Campeon 1-12, D-85579 Neubiberg, Phone +49 (0)89 234-0  
Chairman of the Supervisory Board: Wolfgang Mayrhuber  
Management Board: Dr. Reinhard Ploss (CEO), Dominik Asam, Dr. Helmut Gassel, Jochen Hanebeck  
Registered Office: Neubiberg Commercial Register  
Amtsgericht München HRB 126492

**Correction of Package Outline Dimension (POD) in Product Datasheet- Revised**

**► Products affected:**

See attached for affected parts.

**► Detailed Change Information:**

**Subject:** Correction of Package Outline Dimension (POD) drawing in Product Datasheet to reflect the latest specification.

**Reason:** Correction of outdated information.

**Description:** Correction of Package Outline Dimension (POD) in Product Datasheet- Revised

**For revisions see highlights in dimensions table:**

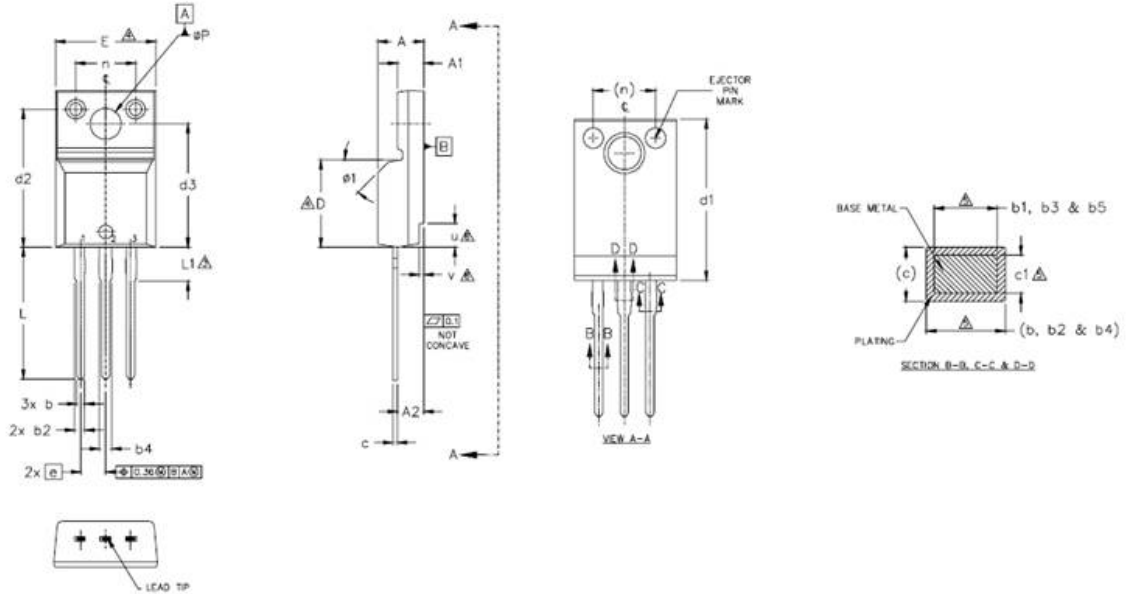
**As the result of this change**

	<b>OLD</b>	<b>NEW</b>
<b>Datasheet</b>	<b>Outdated</b>	<b>Corrected</b>

N° 1116-DISTI42-C4002348

**Corrected POD drawing:**

Dimensions are shown in millimeters (inches)



SYMBOL	DIMENSIONS				NOTES
	MILLIMETERS		INCHES		
	MIN.	MAX.	MIN.	MAX.	
A	4.57	4.83	.180	.190	
A1	2.57	2.82	.101	.111	
A2	2.51	2.92	.099	.115	
b	0.61	0.94	.024	.037	
b1	0.61	0.89	.024	.035	5
b2	0.76	1.27	.030	.050	
b3	0.76	1.22	.030	.048	5
b4	1.02	1.52	.040	.060	
b5	1.02	1.47	.040	.058	5
c	0.33	0.63	.013	.025	
c1	0.33	0.58	.013	.023	5
D	8.66	9.80	.341	.386	4
d1	15.80	16.13	.622	.635	
d2	13.97	14.22	.550	.560	
d3	12.29	12.93	.484	.509	
E	9.63	10.74	.379	.423	4
e	2.54 BSC		.100 BSC		
L	13.21	13.72	.520	.540	
L1	3.10	3.68	.122	.145	3
n	6.05	6.60	.238	.260	
ϕP	3.05	3.45	.120	.136	
u	2.39	2.49	.094	.098	6
v	0.41	0.51	.016	.020	6
ϕ1	-	45°	-	45°	

NOTES:

- 1.0 DIMENSIONING AND TOLERANCING AS PER ASME Y14.5 M- 1994.
- 2.0 DIMENSIONS ARE SHOWN IN MILLIMETERS [INCHES].
- 3.0 LEAD DIMENSION AND FINISH UNCONTROLLED IN L1.
- 4.0 DIMENSION D & E DO NOT INCLUDE MOLD FLASH. MOLD FLASH SHALL NOT EXCEED .005" (0.127) PER SIDE. THESE DIMENSIONS ARE MEASURED AT THE OUTER MOST EXTREMES OF THE PLASTIC BODY.
- 5.0 DIMENSION b1, b3, b5 & c1 APPLY TO BASE METAL ONLY.
- 6.0 STEP OPTIONAL ON PLASTIC BODY DEFINED BY DIMENSIONS u & v.
- 7.0 CONTROLLING DIMENSION : INCHES.

LEAD ASSIGNMENTS

HEXFET

- 1.- GATE
- 2.- DRAIN
- 3.- SOURCE

IGBTs, CoPACK

- 1.- GATE
- 2.- COLLECTOR
- 3.- EMITTER

► **Product Identification:**

There will be no change in the physical appearance of the product. This is only a Product Datasheet specification correction.

► **Impact of Change:**

No changes to form, fit or function.

**N° 1116-DISTI42-C4002348**

► **Attachments:** 1116-DISTI42-C4002348-AffectedParts.xlsx

► **Intended start of delivery:** 5-21-2017

If you have any questions, please do not hesitate to contact your local Sales office.

**Infonote N° 1116-DISTI42-C4002348****Correction of Package Outline****Dimension (POD) in Product****Datasheet- Revised**

<b>Sales Name</b>	<b>SP number</b>	<b>OPN</b>	<b>Package</b>
IRFI1010NPBF	SP001570872	IRFI1010NPBF	FULLPAK220
IRFI1310NPBF	SP001566772	IRFI1310NPBF	FULLPAK220
IRFI3205PBF	SP001570864	IRFI3205PBF	FULLPAK220
IRFI4110GPBF	SP001556598	IRFI4110GPBF	FULLPAK220
IRFI4227PBF	SP001564096	IRFI4227PBF	FULLPAK220
IRFI4229PBF	SP001575824	IRFI4229PBF	FULLPAK220
IRFI4321PBF	SP001556676	IRFI4321PBF	FULLPAK220
IRFI4410ZPBF	SP001566742	IRFI4410ZPBF	FULLPAK220
IRFI530NPBF	SP001554868	IRFI530NPBF	FULLPAK220
IRFI540NPBF	SP001566066	IRFI540NPBF	FULLPAK220
IRFIB41N15DPBF	SP001572654	IRFIB41N15DPBF	FULLPAK220
IRFIZ24NPBF	SP001556656	IRFIZ24NPBF	FULLPAK220
IRFIZ34NPBF	SP001575796	IRFIZ34NPBF	FULLPAK220
IRFIZ44NPBF	SP001572634	IRFIZ44NPBF	FULLPAK220
IRFIZ48NPBF	SP001572624	IRFIZ48NPBF	FULLPAK220
IRLI2910PBF	SP001558218	IRLI2910PBF	FULLPAK220
IRLI3705NPBF	SP001576840	IRLI3705NPBF	FULLPAK220
IRLI520NPBF	SP001576820	IRLI520NPBF	FULLPAK220
IRLI530NPBF	SP001573830	IRLI530NPBF	FULLPAK220
IRLI540NPBF	SP001568964	IRLI540NPBF	FULLPAK220
IRLIB9343PBF	SP001558256	IRLIB9343PBF	FULLPAK220
IRLIZ34NPBF	SP001573820	IRLIZ34NPBF	FULLPAK220
IRLIZ44NPBF	SP001558208	IRLIZ44NPBF	FULLPAK220
IRFI3306GPBF	SP001556626	IRFI3306GPBF	FULLPAK220
IRFI7536GPBF	SP001566188	IRFI7536GPBF	FULLPAK220