



## PCN: Last Time Buy (LTB) Notification - 68LD PLCC Package

Zilog, Inc.  
1590 Buckeye Drive  
Milpitas, CA 95035-7418

May 31, 2021

### **Subject: Last Time Buy (LTB) Notification: 68LD PLCC**

Dear Valued Distributors and Direct Customers:

Due to availability constraints of the 68 lead PLCC package, Zilog is transitioning several devices into an End of Life (EOL) status. Zilog will be offering a last time buy (LTB) opportunity with limited inventory.

In some cases, alternate package types will be made available as a possible replacement. The tables on the following pages list the effected part numbers, recommended replacement part number, and respective package type. Package dimensions of the 68 lead PLCC are also shown along with the recommended replacement package types.

Terms and Conditions of the Last Time Buy:

- Any LTB orders placed must be received by Zilog no later than July 31, 2021 for delivery no later than October 31, 2021.
- All orders are non-cancellable, non-refundable (NCNR) and cannot be rescheduled once the order is acknowledged.

Should you have questions regarding this matter or need additional assistance, please contact [csr@zilog.com](mailto:csr@zilog.com).

Sincerely,

Alan Shaw  
AShaw@littelfuse.com  
VP of Operations MCU  
Zilog- a Littelfuse Company

ZAC20-0103

**Zilog Authorized Distribution**

## PCN: Last Time Buy (LTB) Notification - 68LD PLCC Package

EOL Part Numbers	EOL Package Type	Replacement Part Numbers	Replacement Package Type
Z16C3010VEG	68L PLCC	Z16C3010AEG	LQFP-100LD
Z16C3010VEG00TR	68L PLCC	Z16C3010AEG	LQFP-100LD
Z16C3010VSG	68L PLCC	Z16C3010AEG	LQFP-100LD
Z16C3010VSG00TR	68L PLCC	Z16C3010AEG	LQFP-100LD
Z16C3220VSG	68L PLCC	N/A	N/A
Z16C3220VSG00TR	68L PLCC	N/A	N/A
Z16C3220VXG	68L PLCC	N/A	N/A
Z16C3510VSG	68L PLCC	N/A	N/A
Z16C3510VSG00TR	68L PLCC	N/A	N/A
Z16C3516VSG	68L PLCC	N/A	N/A
Z16F2810VH20AG	68L PLCC	N/A	N/A
Z16F2810VH20EG	68L PLCC	N/A	N/A
Z16F2810VH20SG	68L PLCC	N/A	N/A
Z8018006VEG	68L PLCC	Z8018010FEG	QFP-80LD
Z8018006VEG00TR	68L PLCC	Z8018010FEG00TR	QFP-80LD
Z8018006VSG	68L PLCC	Z8018010FEG	QFP-80LD
Z8018006VSG00TR	68L PLCC	Z8018010FEG00TR	QFP-80LD
Z8018008VEG	68L PLCC	Z8018010FEG	QFP-80LD
Z8018008VEG00TR	68L PLCC	Z8018010FEG00TR	QFP-80LD
Z8018008VSG	68L PLCC	Z8018010FEG	QFP-80LD
Z8018008VSG00TR	68L PLCC	Z8018010FEG00TR	QFP-80LD
Z8018010VEG	68L PLCC	Z8018010FEG	QFP-80LD
Z8018010VSG	68L PLCC	Z8018010FEG	QFP-80LD
Z8018010VSG00TR	68L PLCC	Z8018010FEG00TR	QFP-80LD
Z86C9620VSG	68L PLCC	N/A	N/A
Z86C9620VSG00TR	68L PLCC	N/A	N/A
Z88C0020VEG	68L PLCC	N/A	N/A
Z88C0020VEG1977TR	68L PLCC	N/A	N/A
Z88C0020VSG	68L PLCC	N/A	N/A
Z88C0020VSG00TR	68L PLCC	N/A	N/A
Z8916620VSG1768	68L PLCC	N/A	N/A
Z8916620VSG1900TR	68L PLCC	N/A	N/A
Z8932320VEGR55KN	68L PLCC	N/A	N/A
Z8932320VEGR55RJ	68L PLCC	N/A	N/A

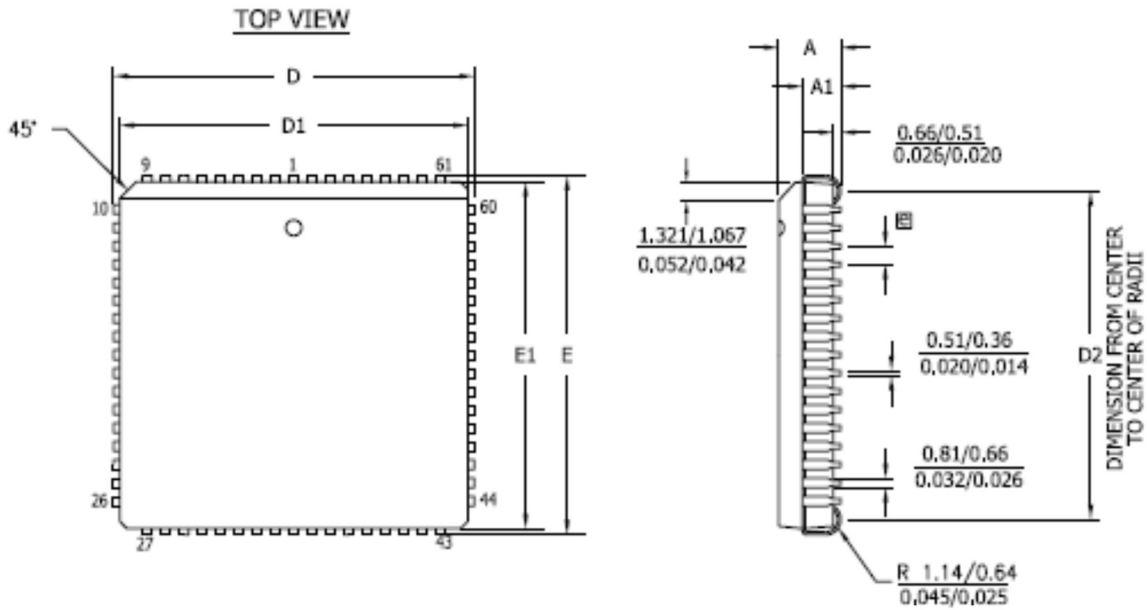
## PCN: Last Time Buy (LTB) Notification - 68LD PLCC Package

EOL Part Numbers	EOL Package Type	Replacement Part Numbers	Replacement Package Type
Z8932320VEGR561N	68L PLCC	N/A	N/A
Z8937320VSG	68L PLCC	N/A	N/A
Z8937320VSGR565C	68L PLCC	N/A	N/A
Z8937320VSGR565CTR	68L PLCC	N/A	N/A
Z8F1622VS020AG	68L PLCC	Z8F6422AR020AG	LQFP-64LD
Z8F1622VS020EG	68L PLCC	Z8F6422AR020EG	LQFP-64LD
Z8F1622VS020SG	68L PLCC	Z8F6422AR020SG	LQFP-64LD
Z8F2422VS020AG	68L PLCC	Z8F6422AR020AG	LQFP-64LD
Z8F2422VS020EG	68L PLCC	Z8F6422AR020EG	LQFP-64LD
Z8F2422VS020SG	68L PLCC	Z8F6422AR020SG	LQFP-64LD
Z8F3222VS020AG	68L PLCC	Z8F6422AR020AG	LQFP-64LD
Z8F3222VS020EG	68L PLCC	Z8F6422AR020EG	LQFP-64LD
Z8F3222VS020SG	68L PLCC	Z8F6422AR020SG	LQFP-64LD
Z8F4822VS020AG	68L PLCC	Z8F6422AR020AG	LQFP-64LD
Z8F4822VS020EG	68L PLCC	Z8F6422AR020EG	LQFP-64LD
Z8F4822VS020SG	68L PLCC	Z8F6422AR020SG	LQFP-64LD
Z8F6422VS020AG	68L PLCC	Z8F6422AR020AG	LQFP-64LD
Z8F6422VS020EG	68L PLCC	Z8F6422AR020EG	LQFP-64LD
Z8F6422VS020SG	68L PLCC	Z8F6422AR020SG	LQFP-64LD
Z8L18020VSG	68L PLCC	N/A	N/A
Z8L18020VSG00TR	68L PLCC	N/A	N/A
Z8S18010VEG	68L PLCC	Z8S18033FEG	QFP-80LD
Z8S18010VEG00TR	68L PLCC	Z8S18033FEG00TR	QFP-80LD
Z8S18010VSG	68L PLCC	Z8S18033FEG	QFP-80LD
Z8S18010VSG00TR	68L PLCC	Z8S18033FEG00TR	QFP-80LD
Z8S18020VEG	68L PLCC	Z8S18033FEG	QFP-80LD
Z8S18020VEG00TR	68L PLCC	Z8S18033FEG00TR	QFP-80LD
Z8S18020VEG1960	68L PLCC	N/A	N/A
Z8S18020VSG	68L PLCC	Z8S18033FEG	QFP-80LD
Z8S18020VSG00TR	68L PLCC	Z8S18033FEG00TR	QFP-80LD
Z8S18020VSG1960	68L PLCC	N/A	N/A
Z8S18020VSG1960TR	68L PLCC	N/A	N/A
Z8S18033VEG	68L PLCC	Z8S18033FEG	QFP-80LD
Z8S18033VSG	68L PLCC	Z8S18033FEG	QFP-80LD
Z8S18033VSG00TR	68L PLCC	Z8S18033FEG00TR	QFP-80LD

ZAC20-0103

**Zilog Authorized Distribution**

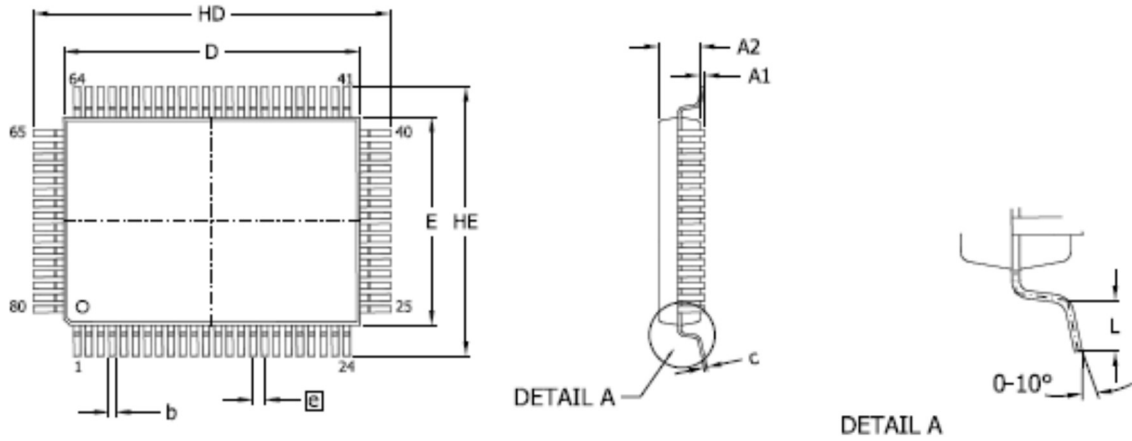
**PLCC-68LD POD**



SYMBOL	MILLIMETER		INCH	
	MIN	MAX	MIN	MAX
A	4.32	4.57	0.170	0.180
A1	2.43	2.92	0.095	0.115
D/E	25.02	25.40	0.985	1.000
D1/E1	24.13	24.33	0.950	0.958
D2	22.86	23.62	0.900	0.930
⊠	1.27 BSC		0.050 BSC	

NOTE;  
 1. CONTROLLING DIMENSIONS : INCH.  
 2. LEADS ARE COPLANAR WITHIN 0.004 IN. RANGE.  
 3. DIMENSION :  $\frac{\text{MM}}{\text{INCH}}$ .

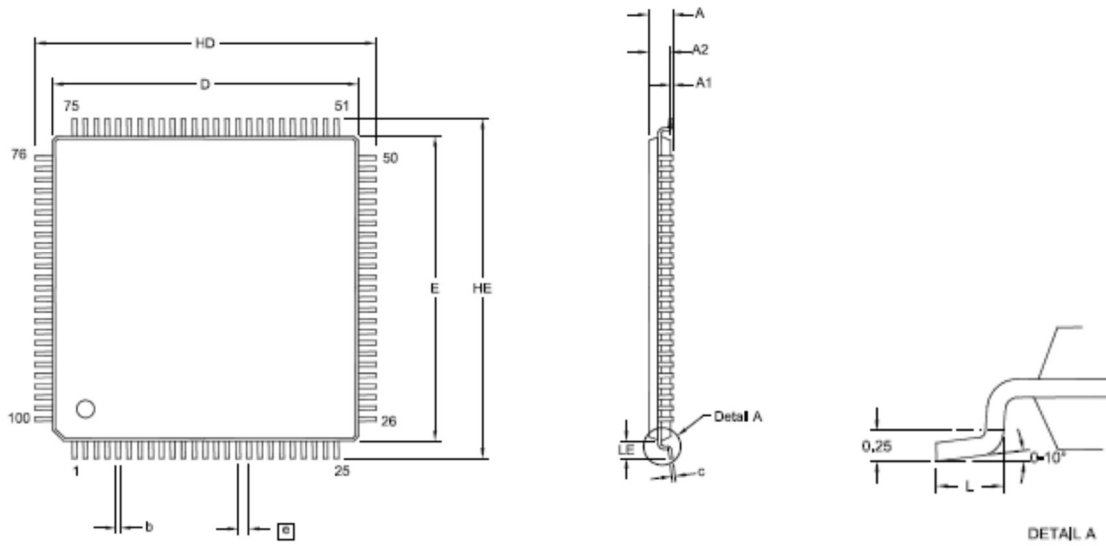
**QFP-80LD POD**



SYMBOL	MILLIMETER		INCH	
	MIN	MAX	MIN	MAX
A1	0.10	0.38	0.004	0.015
A2	2.60	2.90	0.102	0.114
b	0.30	0.45	0.012	0.018
c	0.13	0.20	0.005	0.008
HD	23.70	24.15	0.933	0.951
D	19.90	20.10	0.783	0.791
HE	17.70	18.15	0.697	0.715
E	13.90	14.10	0.547	0.555
[E]	0.80 BSC		0.0315 BSC	
L	0.70	1.10	0.028	0.043

NOTES :  
1. CONTROLLING DIMENSIONS : MILLIMETER  
2. LEAD COPLANARITY : MAX 0.10,  
0.004°

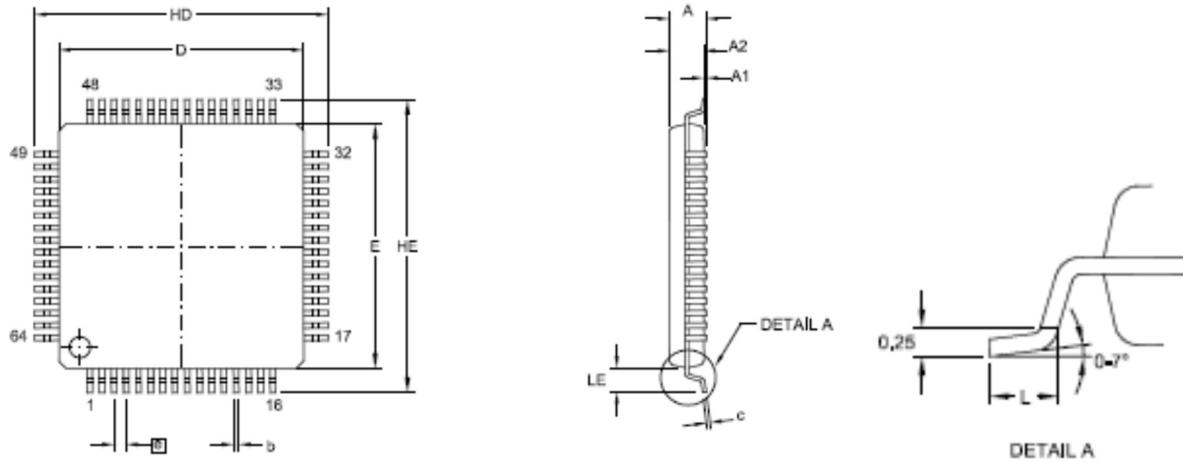
**LQFP-100LD POD**




SYMBOL	MILLIMETER		INCH	
	MIN	MAX	MIN	MAX
A	1,35	1,60	,053	,063
A1	0,05	0,20	,002	,008
A2	1,30	1,50	,051	,059
b	0,15	0,28	,006	,010
c	0,10	0,20	,004	,008
HD	15,85	16,15	,624	,636
D	13,90	14,10	,547	,555
HE	15,85	16,15	,624	,636
E	13,90	14,10	,547	,555
e	0,50 BSC		.0197 BSC	
L	0,45	0,75	,018	,030
LE	0,90	1,10	,035	,043

1. CONTROLLING DIMENSIONS : MM  
2. MAX COPLANARITY :  $\frac{.10\text{mm}}{.004^\circ}$

**LQFP-64LD POD**



SYMBOL	MILLIMETER		INCH	
	MIN	MAX	MIN	MAX
A	1,40	1,60	0,055	0,063
A1	0,05	0,15	0,002	0,006
A2	1,35	1,45	0,053	0,057
b	0,17	0,27	0,007	0,011
c	0,09	0,20	0,004	0,008
HD	11,75	12,25	0,463	0,482
D	9,90	10,10	0,390	0,398
HE	11,75	12,25	0,463	0,482
E	9,90	10,10	0,390	0,398
	0,50 BSC		0,0197 BSC	
L	0,45	0,75	0,018	0,030
LE	1,00 REF		0,039 REF	

1. CONTROLLING DIMENSIONS : mm
2. MAX. COPLANARITY :  $\frac{0,10\text{mm}}{0,004^\circ}$