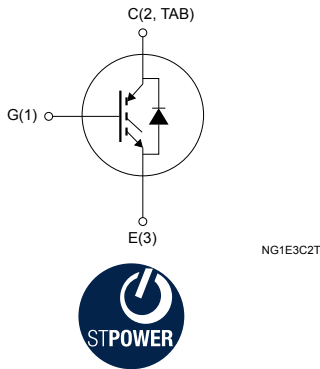
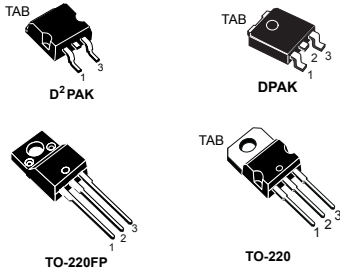


8 A, 600 V short-circuit rugged IGBT



Features

- Lower on voltage drop ($V_{CE(sat)}$)
- Lower C_{res} / C_{ies} ratio (no cross-conduction susceptibility)
- Very soft ultra fast recovery antiparallel diode
- Short-circuit withstand time 10 μ s

Applications

- High frequency motor controls
- SMPS and PFC in both hard switch and resonant topologies
- Motor drives

Description

These devices are very fast IGBTs developed using advanced PowerMESH technology. This process guarantees an excellent trade-off between switching performance and low on-state behavior. These devices are well-suited for resonant or soft-switching applications.

Product status links

[STGB8NC60KD](#)

[STGD8NC60KD](#)

[STGF8NC60KD](#)

[STGP8NC60KD](#)

1 Electrical ratings

Table 1. Absolute maximum ratings

Symbol	Parameter	Value			Unit
		D ² PAK, TO-220	DPAK	TO-220FP	
V _{CES}	Collector-emitter voltage (V _{GE} = 0 V)	600			V
I _C ⁽¹⁾	Continuous collector current at T _C = 25 °C	15		7	A
	Continuous collector current at T _C = 100 °C	8		4	
I _{CL} ⁽²⁾	Turn-off latching current	30			A
I _{CP} ⁽³⁾	Pulsed collector current	30			A
V _{GE}	Gate-emitter voltage	±20			V
I _F	Diode RMS forward current at T _C = 25 °C	7			A
I _{FSM}	Surge non repetitive forward current t _p = 10 ms sinusoidal	20			A
V _{ISO}	Insulation withstand voltage (RMS) from all three leads to external heat sink (t = 1 s, T _C = 25 °C)			2.5	kV
t _{scw}	Short-circuit withstand time V _{CE} = 0.5, V _{CES} , T _J = 125 °C, R _G = 10 Ω, V _{GE} = 12 V	10			μs
P _{TOT}	Total power dissipation at T _C = 25 °C	65	62	24	W
T _{stg}	Storage temperature range	-55 to 150			°C
T _J	Operating junction temperature range				°C

1. Calculated according to the iterative formula: $I_C(T_C) = \frac{T_{J(max)} - T_C}{R_{thJC} \times V_{CE(sat)(max)}(T_{J(max)}, I_C(T_C))}$
2. V_{clamp} = 80% V_{CES}, T_J = 150 °C, R_G = 10 Ω, V_{GE} = 15 V.
3. Pulse width limited by maximum junction temperature and turn-off within RBSOA.

Table 2. Thermal data

Symbol	Parameter	Value			Unit
		D ² PAK, TO-220	DPAK	TO-220FP	
R _{thJC}	Thermal resistance, junction-to-case IGBT	1.9	2.0	5.1	°C/W
	Thermal resistance, junction-to-case diode	4	4.5	7	
R _{thJA}	Thermal resistance, junction-to-ambient	62.5	100	62.5	°C/W

2 Electrical characteristics

$T_C = 25\text{ °C}$ unless otherwise specified

Table 3. Static

Symbol	Parameter	Test conditions	Min.	Typ.	Max.	Unit
$V_{(BR)CES}$	Collector-emitter breakdown voltage	$V_{GE} = 0\text{ V}, I_C = 1\text{ mA}$	600			V
$V_{CE(sat)}$	Collector-emitter saturation voltage	$V_{GE} = 15\text{ V}, I_C = 3\text{ A}$		2.2	2.75	V
		$V_{GE} = 15\text{ V}, I_C = 3\text{ A}, T_J = 125\text{ °C}$		1.8		
$V_{GE(th)}$	Gate threshold voltage	$V_{CE} = V_{GE}, I_C = 250\text{ }\mu\text{A}$	4.5		6.5	V
I_{CES}	Collector cut-off current	$V_{GE} = 0\text{ V}, V_{CE} = 600\text{ V}$			0.15	mA
		$V_{GE} = 0\text{ V}, V_{CE} = 600\text{ V}, T_J = 125\text{ °C}^{(1)}$			1	
I_{GES}	Gate-emitter leakage current	$V_{CE} = 0\text{ V}, V_{GE} = \pm 20\text{ V}$			± 100	nA
$g_{fs}^{(2)}$	Forward transconductance	$V_{CE} = 15\text{ V}, I_C = 3\text{ A}$		1.9		S

1. Specified by design, not tested in production.

2. Pulsed: pulse duration = 300 μs , duty cycle 1.5%.

Table 4. Dynamic

Symbol	Parameter	Test conditions	Min.	Typ.	Max.	Unit
C_{ies}	Input capacitance	$V_{CE} = 25\text{ V}, f = 1\text{ MHz}, V_{GE} = 0\text{ V}$	-	380	-	pF
C_{oes}	Output capacitance		-	46	-	pF
C_{res}	Reverse transfer capacitance		-	8.5	-	pF
Q_g	Total gate charge	$V_{CC} = 390\text{ V}, I_C = 3\text{ A}, V_{GE} = 0\text{ to }15\text{ V}$ (see Figure 19. Gate charge test circuit)	-	19	-	nC
Q_{ge}	Gate-emitter charge		-	5	-	nC
Q_{gc}	Gate-collector charge		-	9	-	nC

Table 5. Switching on/off (inductive load)

Symbol	Parameter	Test conditions	Min.	Typ.	Max.	Unit
$t_{d(on)}$	Turn-on delay time	$V_{CC} = 390\text{ V}, I_C = 3\text{ A},$	-	17	-	ns
t_r	Current rise time	$R_G = 10\ \Omega, V_{GE} = 15\text{ V}$	-	6	-	ns
$(di/dt)_{on}$	Turn-on current slope	(see Figure 17. Test circuit for inductive load switching and Figure 20. Switching waveform)	-	655	-	A/ μ s
$t_{d(on)}$	Turn-on delay time	$V_{CC} = 390\text{ V}, I_C = 3\text{ A},$	-	16.5	-	ns
t_r	Current rise time	$R_G = 10\ \Omega, V_{GE} = 15\text{ V}, T_J = 125\text{ }^\circ\text{C}$	-	6.5	-	ns
$(di/dt)_{on}$	Turn-on current slope	(see Figure 17. Test circuit for inductive load switching and Figure 20. Switching waveform)	-	575	-	A/ μ s
$t_r(V_{off})$	Off voltage rise time	$V_{CC} = 390\text{ V}, I_C = 3\text{ A},$	-	33	-	ns
$t_{d(off)}$	Turn-off delay time	$R_G = 10\ \Omega, V_{GE} = 15\text{ V}$	-	72	-	ns
t_f	Current fall time	(see Figure 17. Test circuit for inductive load switching and Figure 20. Switching waveform)	-	82	-	ns
$t_r(V_{off})$	Off voltage rise time	$V_{CC} = 390\text{ V}, I_C = 3\text{ A},$	-	60	-	ns
$t_{d(off)}$	Turn-off delay time	$R_G = 10\ \Omega, V_{GE} = 15\text{ V}, T_J = 125\text{ }^\circ\text{C}$	-	106	-	ns
t_f	Current fall time	(see Figure 17. Test circuit for inductive load switching and Figure 20. Switching waveform)	-	136	-	ns

Table 6. Switching energy (inductive load)

Symbol	Parameter	Test conditions	Min.	Typ.	Max.	Unit
$E_{on}^{(1)}$	Turn-on switching energy	$V_{CE} = 390\text{ V}, I_C = 3\text{ A},$	-	55	-	μ J
$E_{off}^{(2)}$	Turn-off switching energy	$R_G = 10\ \Omega, V_{GE} = 15\text{ V}$	-	85	-	μ J
E_{ts}	Total switching energy	(see Figure 17. Test circuit for inductive load switching)	-	140	-	μ J
$E_{on}^{(1)}$	Turn-on switching energy	$V_{CE} = 390\text{ V}, I_C = 3\text{ A},$	-	87	-	μ J
$E_{off}^{(2)}$	Turn-off switching energy	$R_G = 10\ \Omega, V_{GE} = 15\text{ V}, T_J = 125\text{ }^\circ\text{C}$	-	162	-	μ J
E_{ts}	Total switching energy	(see Figure 17. Test circuit for inductive load switching)	-	249	-	μ J

1. Including the reverse recovery of the diode.

2. Including the tail of the collector current.

Table 7. Diode switching characteristics (inductive load)

Symbol	Parameter	Test conditions	Min.	Typ.	Max.	Unit
V_F	Forward on-voltage	$I_F = 3A$	-	1.6	2.1	V
		$I_F = 3A, T_J = 125^\circ C$	-	1.3		
t_{rr}	Reverse recovery time	$I_F = 3A, V_R = 30V, di/dt = 100A/\mu s$	-	23.5		ns
Q_{rr}	Reverse recovery charge	(see Figure 18. Diode reverse recovery waveform)	-	16.5		nC
I_{rrm}	Reverse recovery current		-	1.4		A
t_{rr}	Reverse recovery time	$I_F = 3A, V_R = 30V, di/dt = 100A/\mu s,$	-	39		ns
Q_{rr}	Reverse recovery charge	$T_J = 125^\circ C$ (see Figure 18. Diode reverse recovery waveform)	-	39		nC
I_{rr}	Reverse recovery current		-	2		A

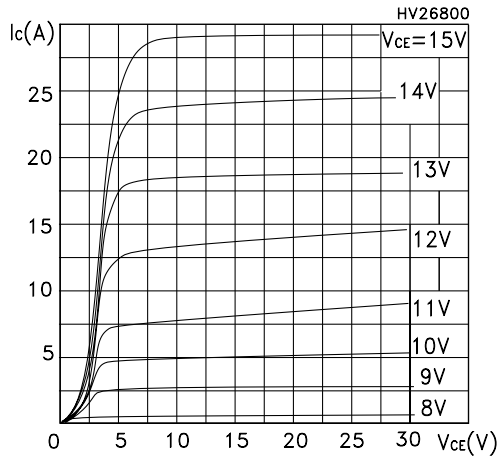
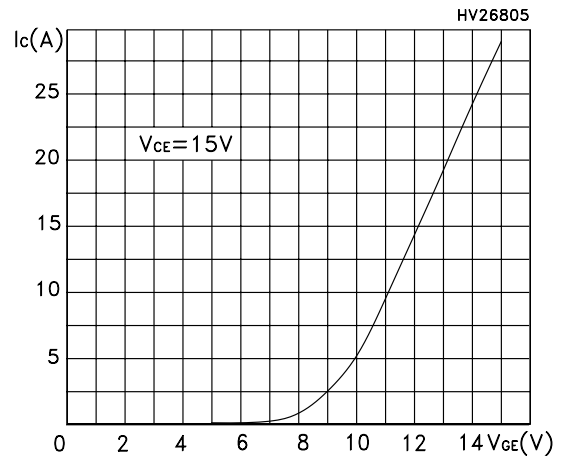
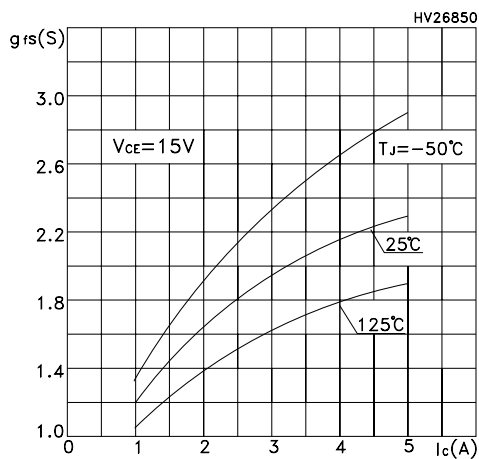
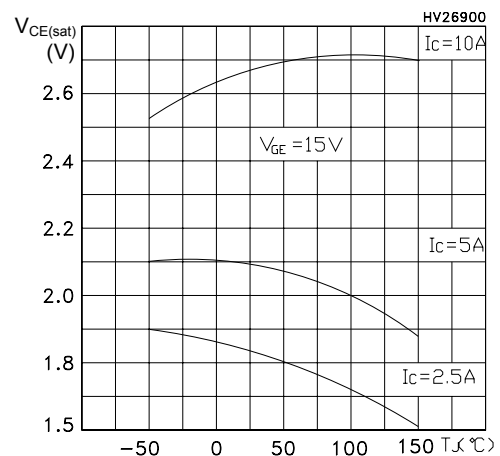
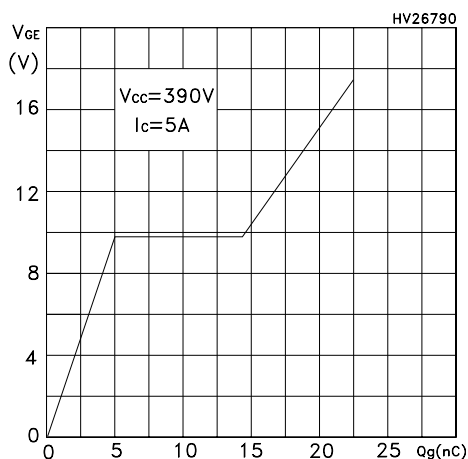
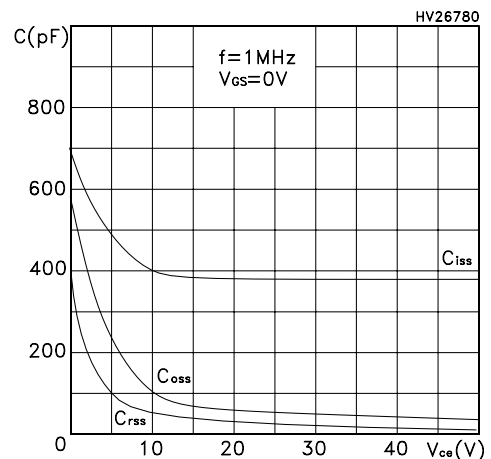
2.1 Electrical characteristics (curves)
Figure 1. Typical output characteristics

Figure 2. Typical transfer characteristics

Figure 3. Typical transconductance characteristics

Figure 4. Typical collector-emitter on voltage vs temperature

Figure 5. Typical gate charge characteristics

Figure 6. Typical capacitance characteristics


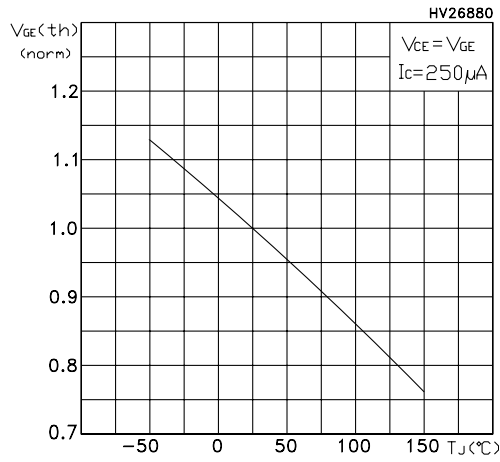
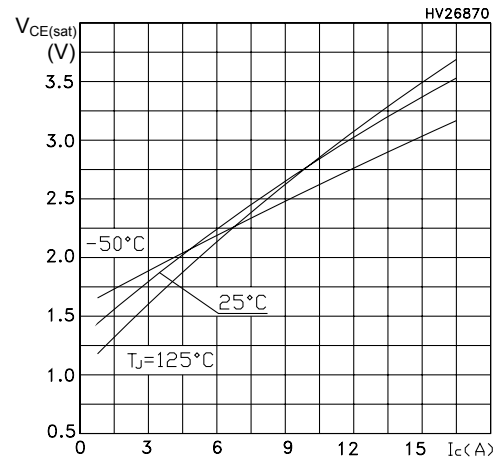
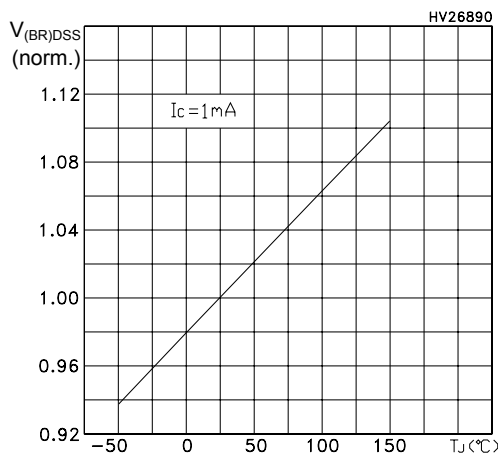
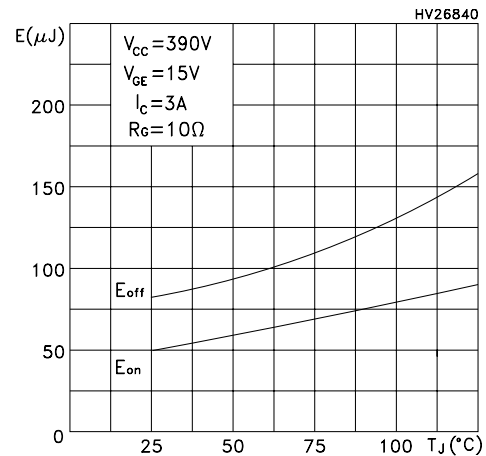
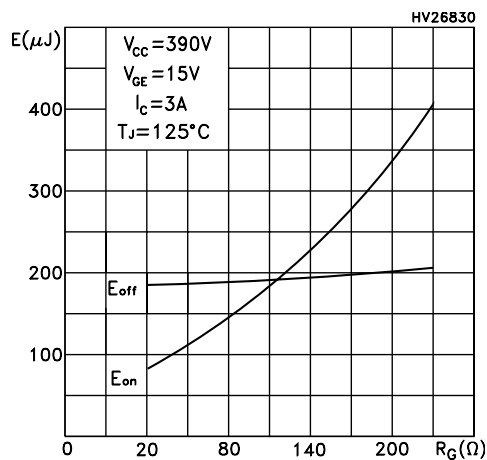
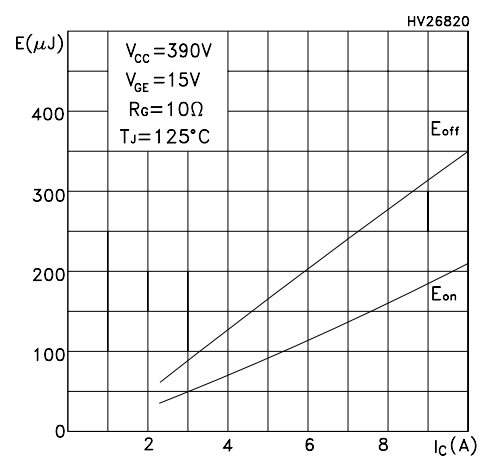
Figure 7. Normalized gate threshold vs temperature

Figure 8. Typical collector-emitter on voltage vs collector current

Figure 9. Normalized breakdown voltage vs temperature

Figure 10. Typical switching energy vs temperature

Figure 11. Typical switching energy vs gate resistance

Figure 12. Typical switching energy vs collector current


Figure 13. Reverse bias safe operating area

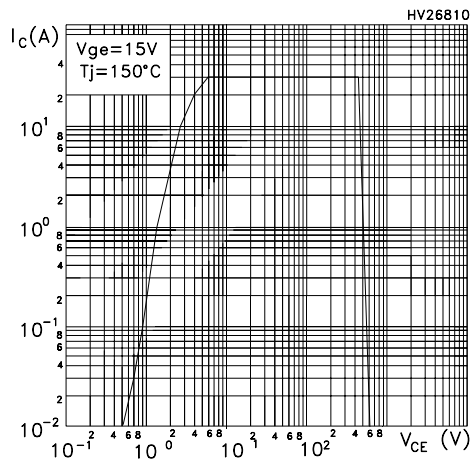


Figure 14. Normalized transient thermal impedance for D²PAK, DPAK and TO-220

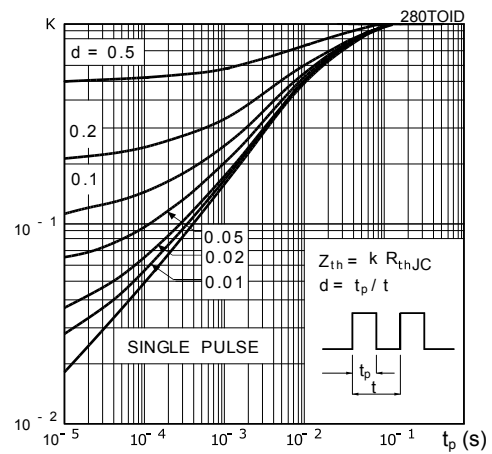


Figure 15. Normalized transient thermal impedance for TO-220FP

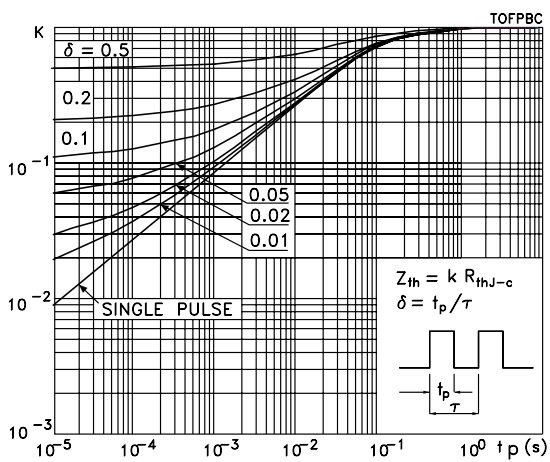
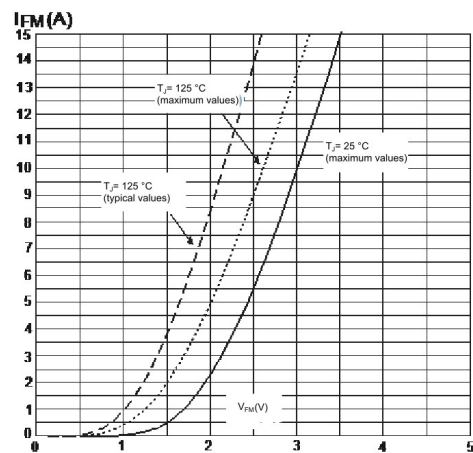


Figure 16. Typical emitter-collector diode characteristics



3 Test circuits

Figure 17. Test circuit for inductive load switching

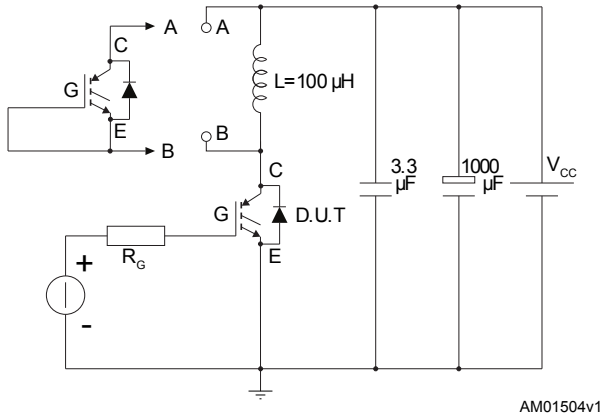


Figure 18. Diode reverse recovery waveform

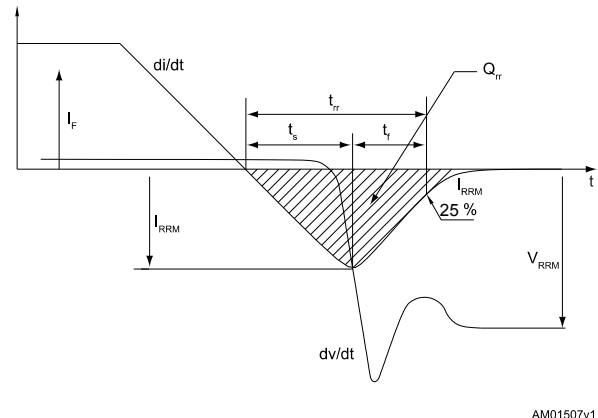


Figure 19. Gate charge test circuit

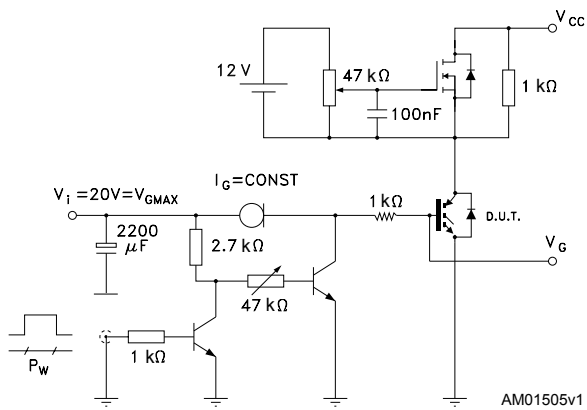
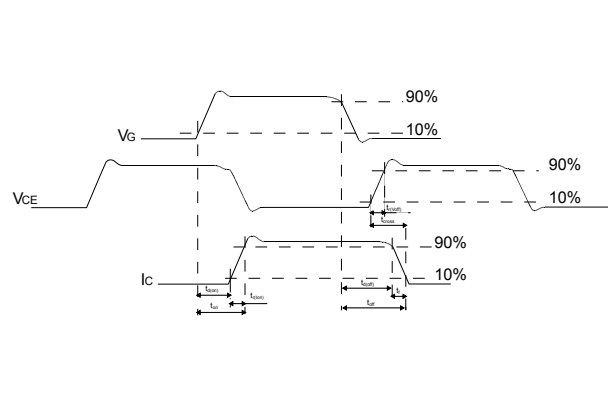


Figure 20. Switching waveform

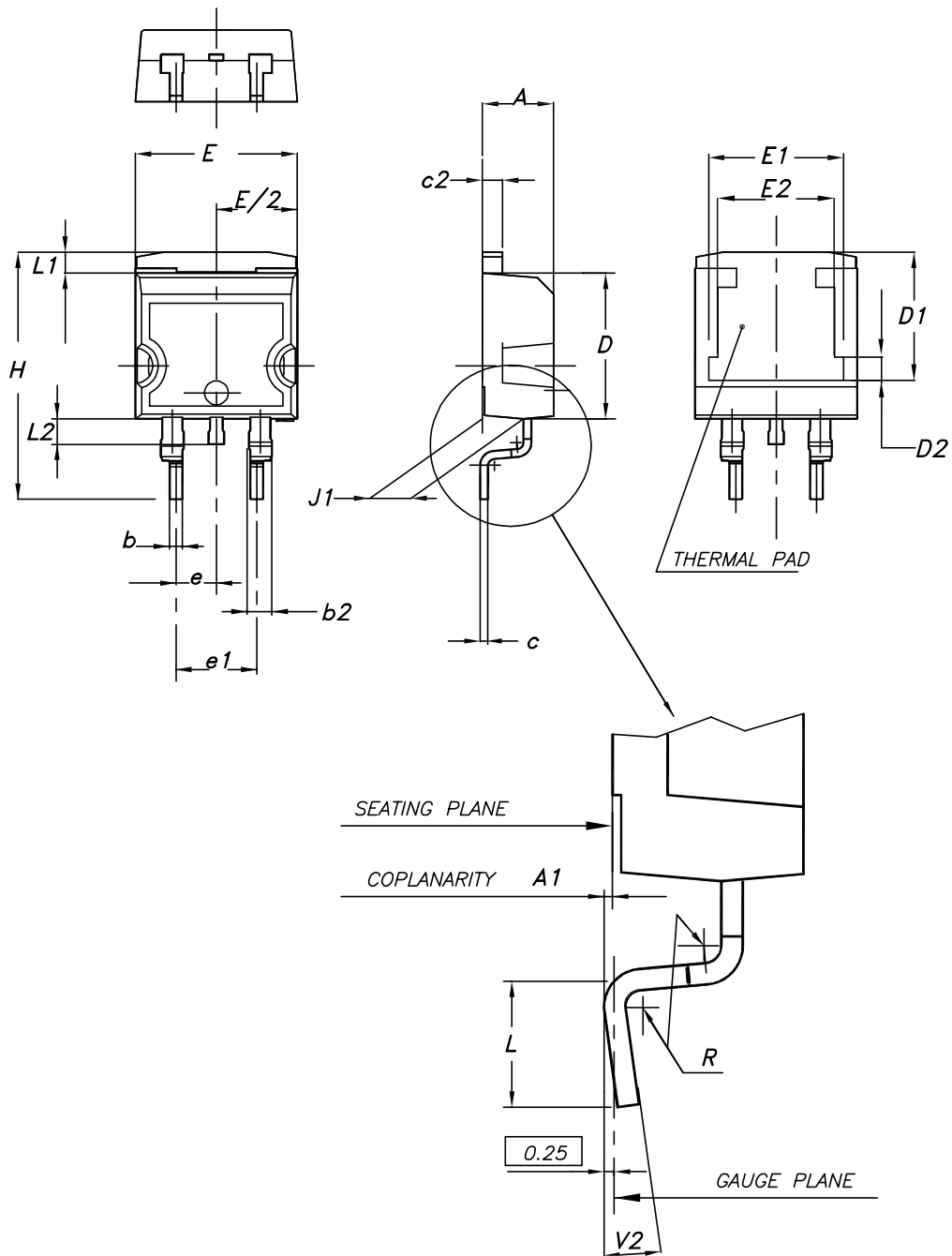


4 Package information

In order to meet environmental requirements, ST offers these devices in different grades of **ECOPACK** packages, depending on their level of environmental compliance. ECOPACK specifications, grade definitions and product status are available at: www.st.com. ECOPACK is an ST trademark.

4.1 D²PAK (TO-263) package information

Figure 21. D²PAK (TO-263) type A package outline

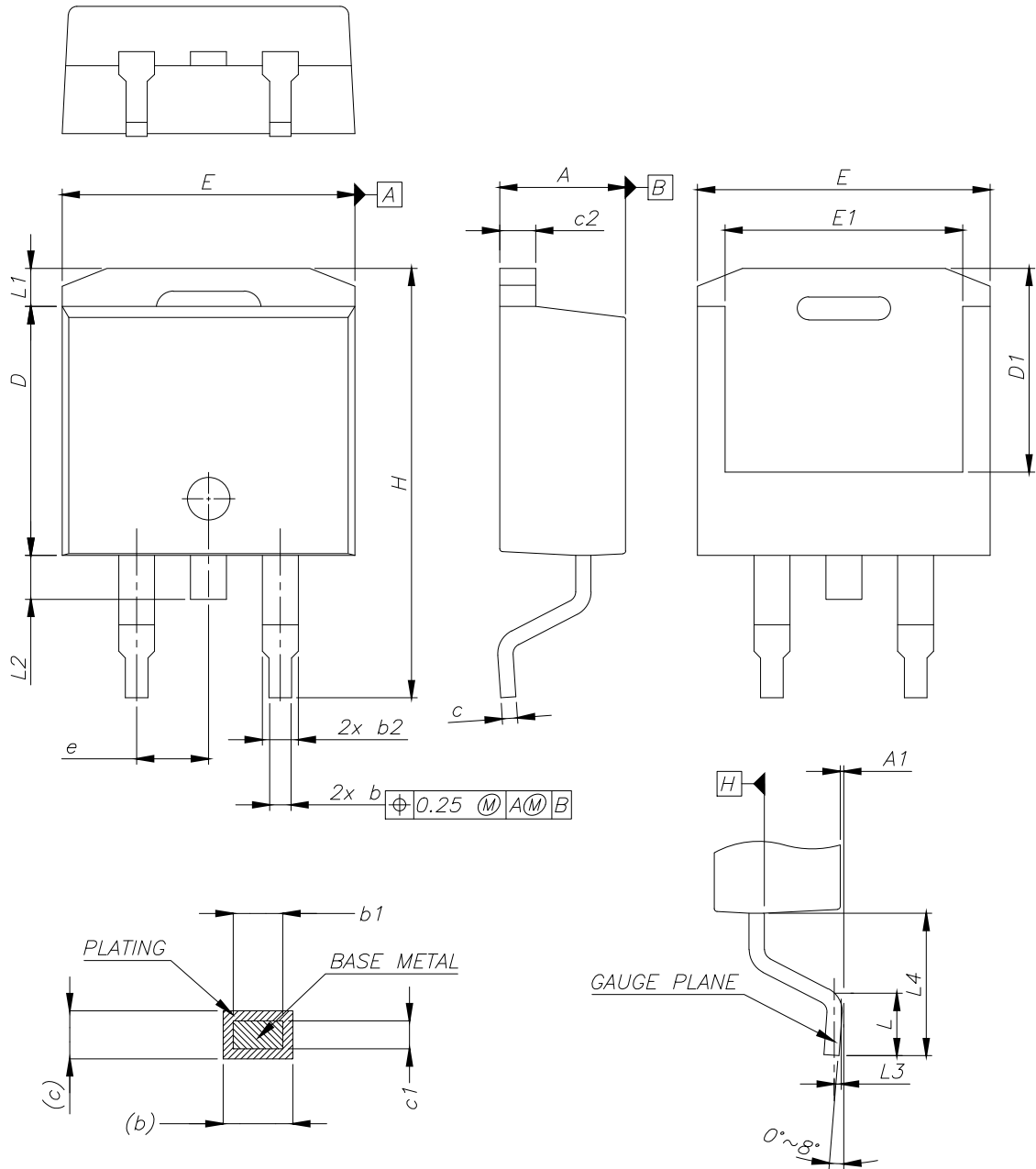


0079457_26

**Table 8. D²PAK (TO-263) type A package mechanical data**

Dim.	mm		
	Min.	Typ.	Max.
A	4.40		4.60
A1	0.03		0.23
b	0.70		0.93
b2	1.14		1.70
c	0.45		0.60
c2	1.23		1.36
D	8.95		9.35
D1	7.50	7.75	8.00
D2	1.10	1.30	1.50
E	10.00		10.40
E1	8.30	8.50	8.70
E2	6.85	7.05	7.25
e		2.54	
e1	4.88		5.28
H	15.00		15.85
J1	2.49		2.69
L	2.29		2.79
L1	1.27		1.40
L2	1.30		1.75
R		0.40	
V2	0°		8°

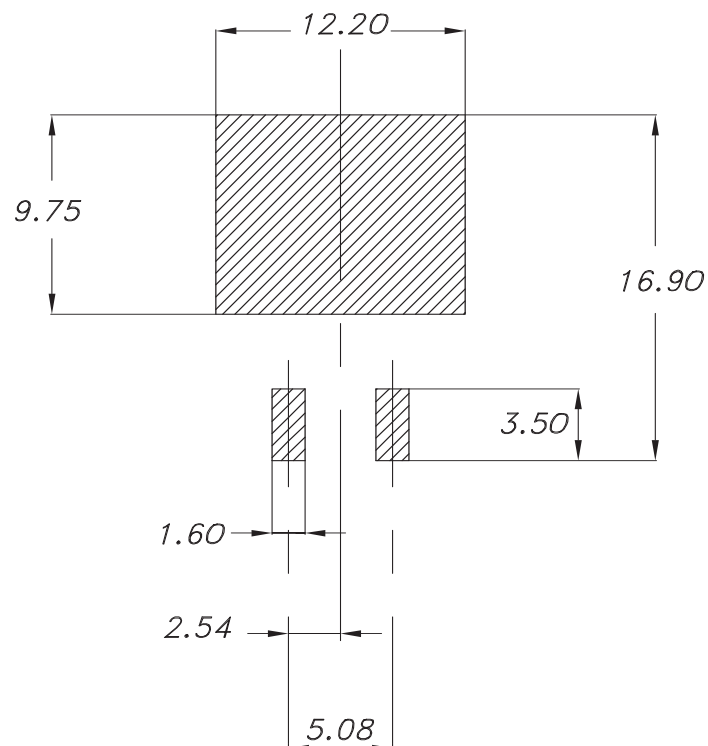
Figure 22. D²PAK (TO-263) type B package outline



0079457_26_B

Table 9. D²PAK (TO-263) type B mechanical data

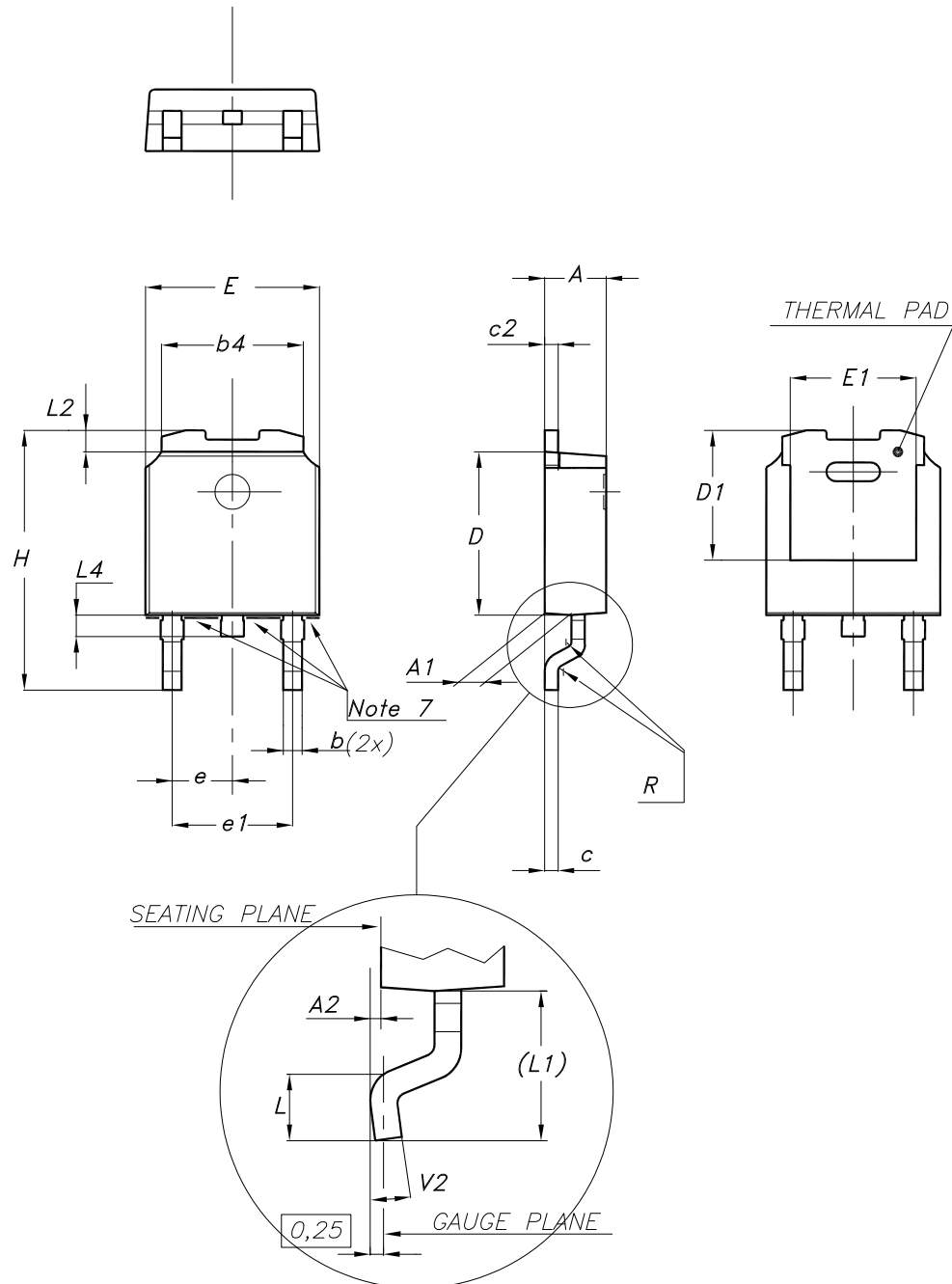
Dim.	mm		
	Min.	Typ.	Max.
A	4.36		4.56
A1	0		0.25
b	0.70		0.90
b1	0.51		0.89
b2	1.17		1.37
c	0.38		0.694
c1	0.38		0.534
c2	1.19		1.34
D	8.60		9.00
D1	6.90		7.50
E	10.15		10.55
E1	8.10		8.70
e	2.54 BSC		
H	15.00		15.60
L	1.90		2.50
L1			1.65
L2			1.78
L3		0.25	
L4	4.78		5.28

Figure 23. D²PAK (TO-263) recommended footprint (dimensions are in mm)


0079457_Rev26_footprint

4.2 DPAK (TO-252) type A package information

Figure 24. DPAK (TO-252) type A package outline



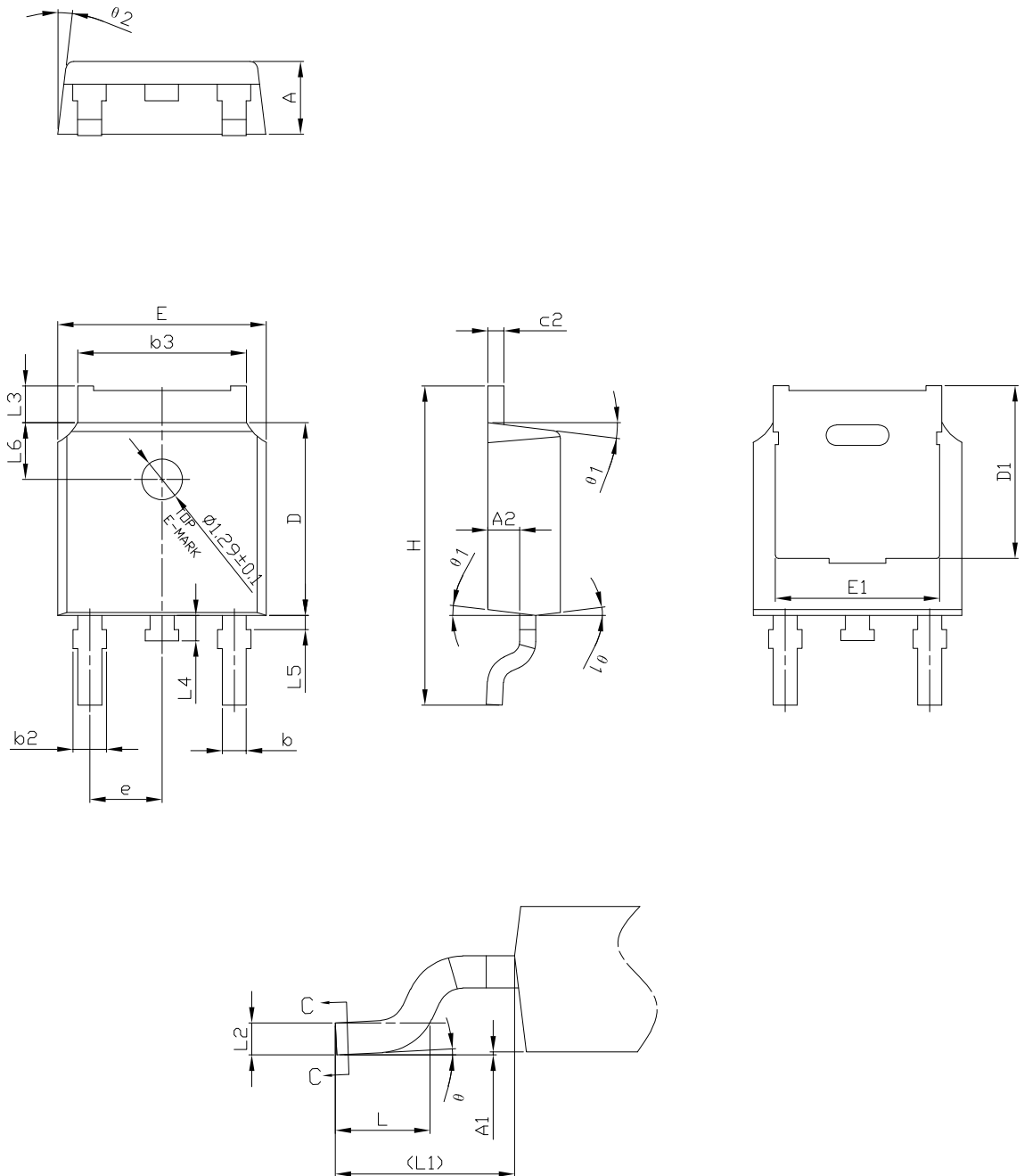
0068772_A_34

**Table 10. DPAK (TO-252) type A mechanical data**

Dim.	mm		
	Min.	Typ.	Max.
A	2.20		2.40
A1	0.90		1.10
A2	0.03		0.23
b	0.64		0.90
b4	5.20		5.40
c	0.45		0.60
c2	0.48		0.60
D	6.00		6.20
D1	4.95	5.10	5.25
E	6.40		6.60
E1	4.60	4.70	4.80
e	2.159	2.286	2.413
e1	4.445	4.572	4.699
H	9.35		10.10
L	1.00		1.50
(L1)	2.60	2.80	3.00
L2	0.65	0.80	0.95
L4	0.60		1.00
R		0.20	
V2	0°		8°

4.3 DPAK (TO-252) type C3 package information

Figure 25. DPAK (TO-252) type C3 package outline

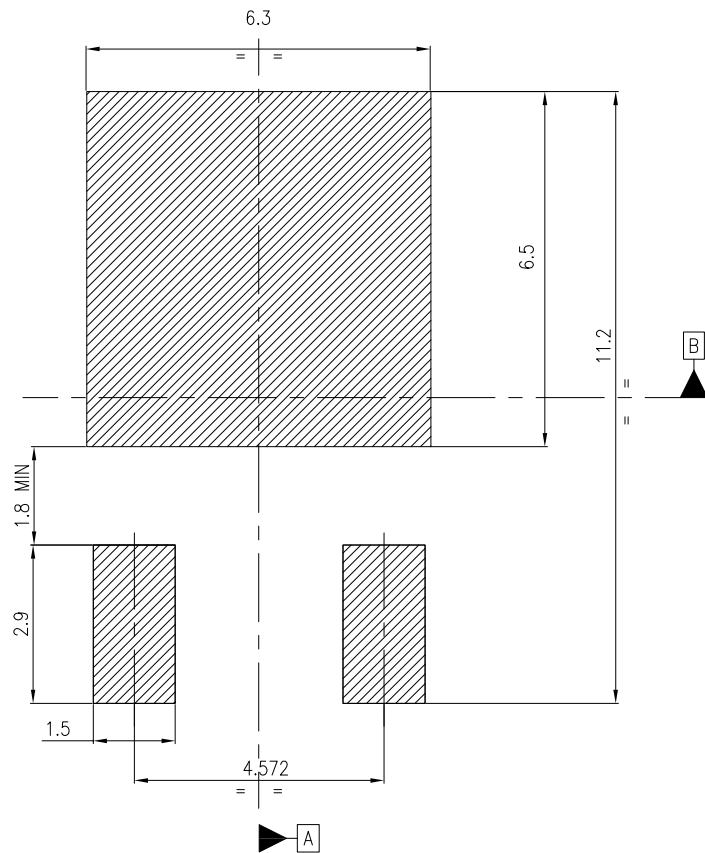


0068772_type-C3_rev34

**Table 11. DPAK (TO-252) type C3 mechanical data**

Dim.	mm		
	Min.	Typ.	Max.
A	2.20	2.30	2.38
A1	0.00		0.10
A2	0.90	1.01	1.10
b	0.72		0.85
b2	0.72		1.10
b3	5.13	5.33	5.46
c	0.47		0.60
c2	0.47		0.60
D	6.00	6.10	6.20
D1	5.20	5.45	5.70
E	6.50	6.60	6.70
E1	5.00	5.20	5.40
e	2.186	2.286	2.386
H	9.80	10.10	10.40
L	1.40	1.50	1.70
L1	2.90 REF		
L2	0.51 BSC		
L3	0.90		1.25
L4	0.60	0.80	1.00
L5	0.15		0.75
L6	1.80 REF		
θ	0°		8°
θ1	5°	7°	9°
θ2	5°	7°	9°

Figure 26. DPAK (TO-252) recommended footprint (dimensions are in mm)



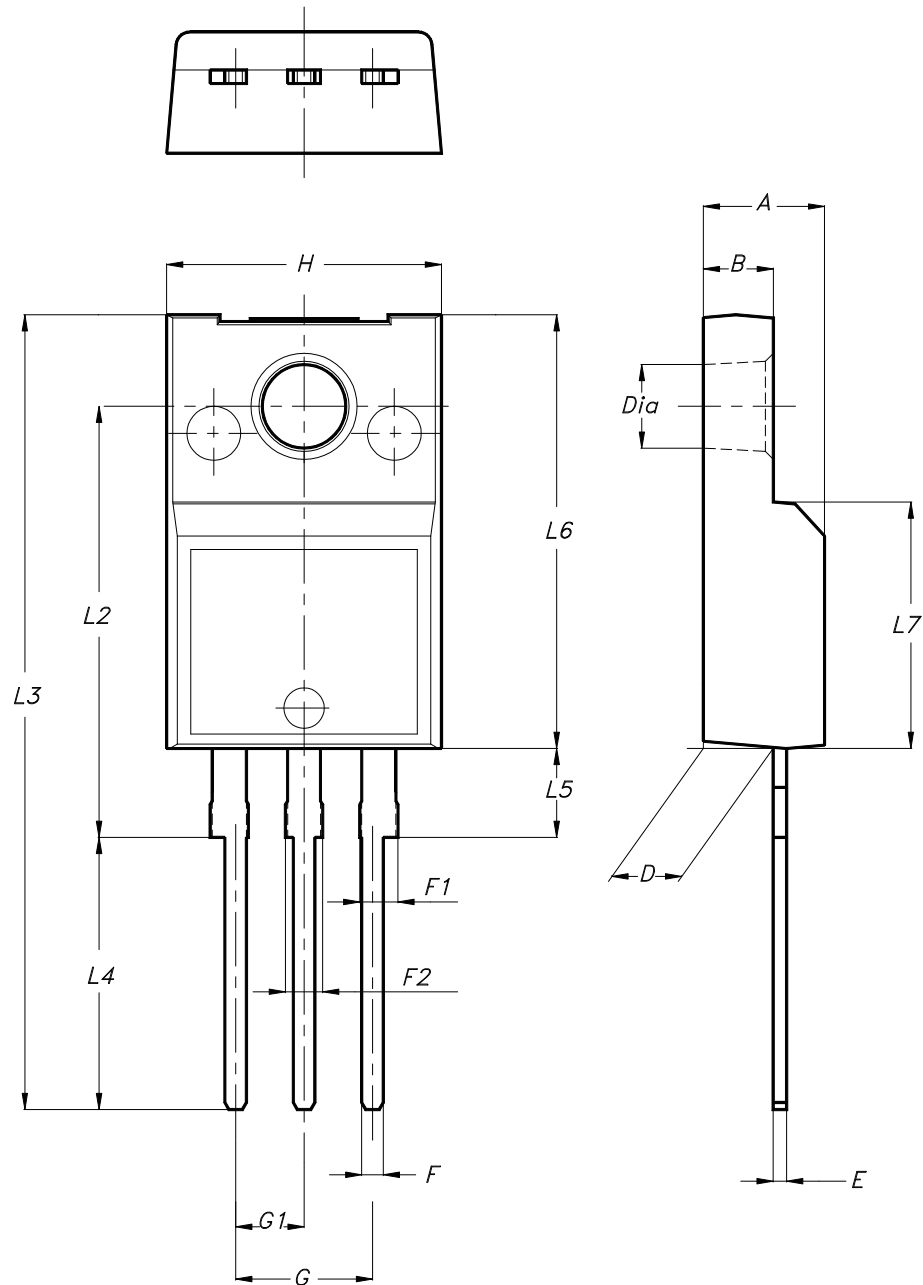
Notes:

- 1) This footprint is able to ensure insulation up to 630 Vrms (according to CEI IEC 664-1)
- 2) The device must be positioned within $\boxed{\oplus 0.05 \text{ A B}}$

FP_0068772_34

4.4 TO-220FP type B package information

Figure 27. TO-220FP type B package outline



7012510_B_rev.14

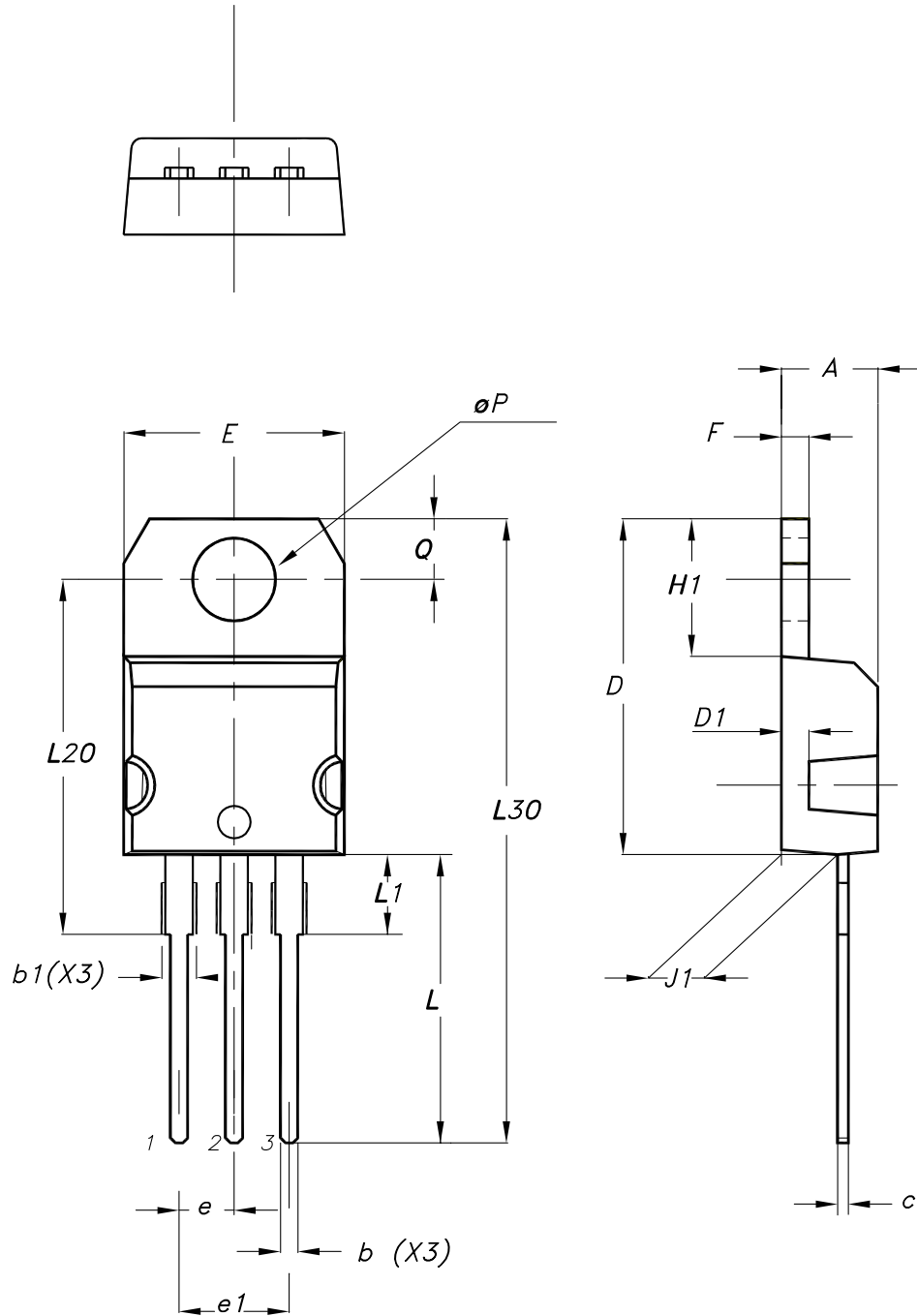


Table 12. TO-220FP type B package mechanical data

Dim.	mm		
	Min.	Typ.	Max.
A	4.40		4.60
B	2.50		2.70
D	2.50		2.75
E	0.45		0.70
F	0.75		1.00
F1	1.15		1.70
F2	1.15		1.70
G	4.95		5.20
G1	2.40		2.70
H	10.00		10.40
L2		16.00	
L3	28.60		30.60
L4	9.80		10.60
L5	2.90		3.60
L6	15.90		16.40
L7	9.00		9.30
Dia	3.00		3.20

4.5 TO-220 type A package information

Figure 28. TO-220 type A package outline



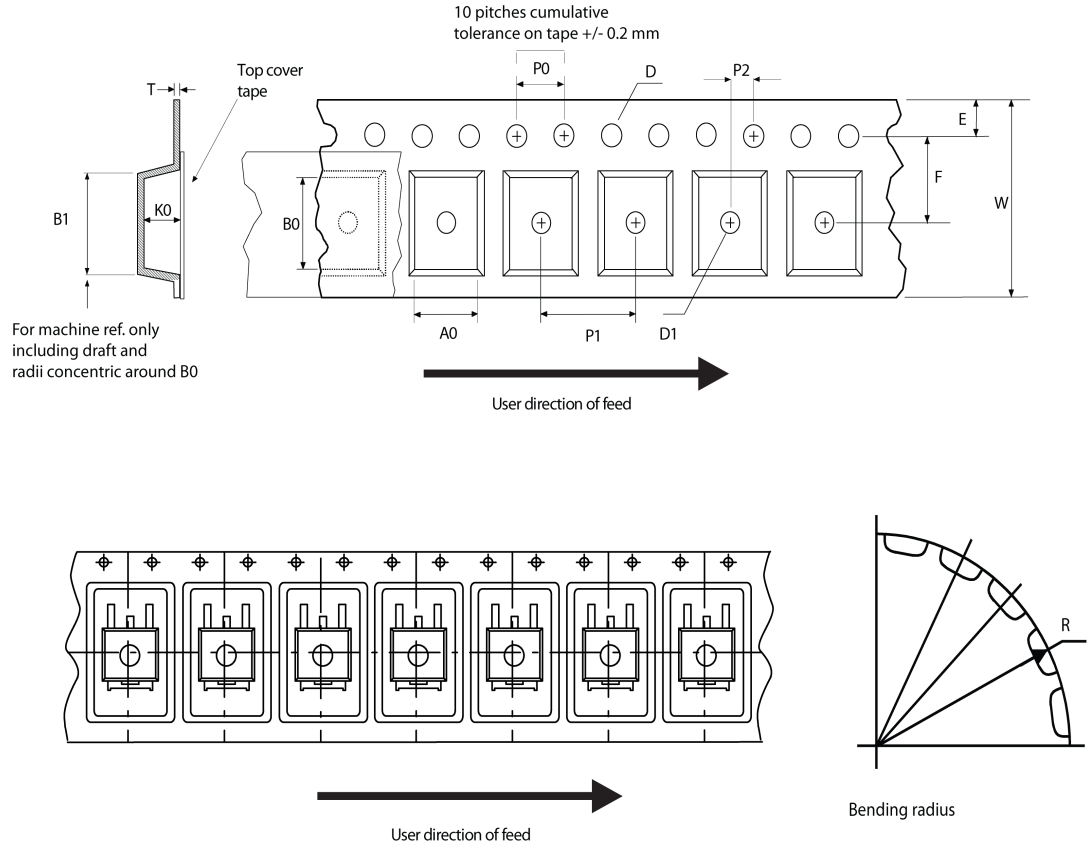
0015988_typeA_Rev_23

**Table 13. TO-220 type A package mechanical data**

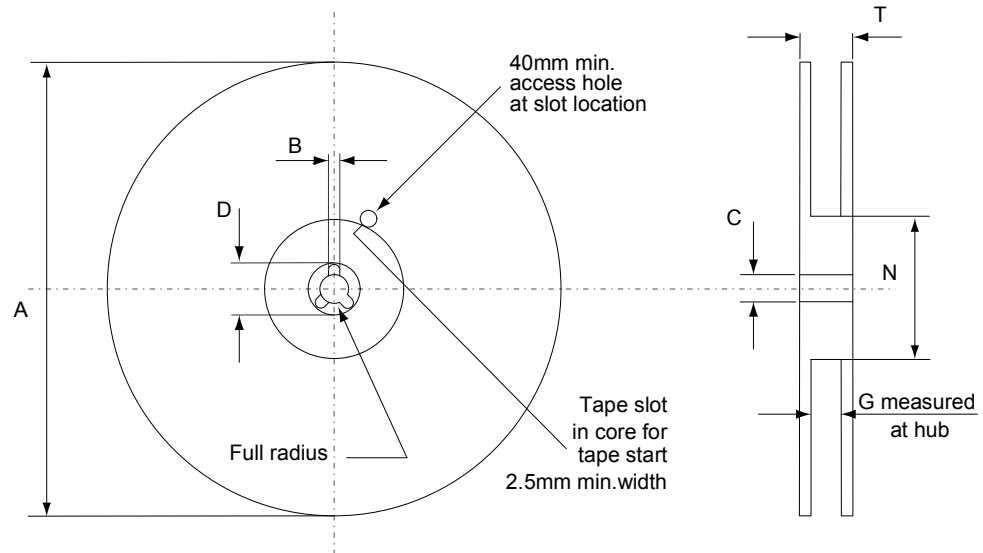
Dim.	mm		
	Min.	Typ.	Max.
A	4.40		4.60
b	0.61		0.88
b1	1.14		1.55
c	0.48		0.70
D	15.25		15.75
D1		1.27	
E	10.00		10.40
e	2.40		2.70
e1	4.95		5.15
F	1.23		1.32
H1	6.20		6.60
J1	2.40		2.72
L	13.00		14.00
L1	3.50		3.93
L20		16.40	
L30		28.90	
øP	3.75		3.85
Q	2.65		2.95
Slug flatness		0.03	0.10

4.6 D²PAK type A packing information

Figure 29. D²PAK tape outline



AM08852v1

Figure 30. D²PAK reel outline


AM06038v1

Table 14. D²PAK tape and reel mechanical data

Dim.	Tape		Dim.	Reel	
	mm			mm	
	Min.	Max.		Min.	Max.
A0	10.5	10.7	A		330
B0	15.7	15.9	B	1.5	
D	1.5	1.6	C	12.8	13.2
D1	1.59	1.61	D	20.2	
E	1.65	1.85	G	24.4	26.4
F	11.4	11.6	N	100	
K0	4.8	5.0	T		30.4
P0	3.9	4.1			
P1	11.9	12.1	Base quantity		1000
P2	1.9	2.1	Bulk quantity		1000
R	50				
T	0.25	0.35			
W	23.7	24.3			

4.7 D²PAK type B packing information

Figure 31. D²PAK type B tape outline

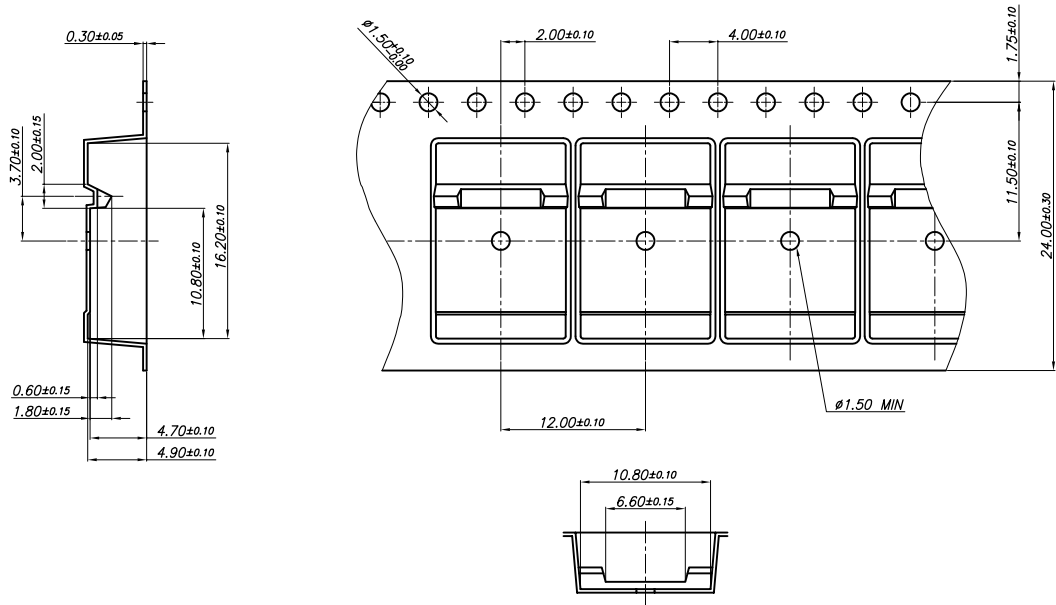
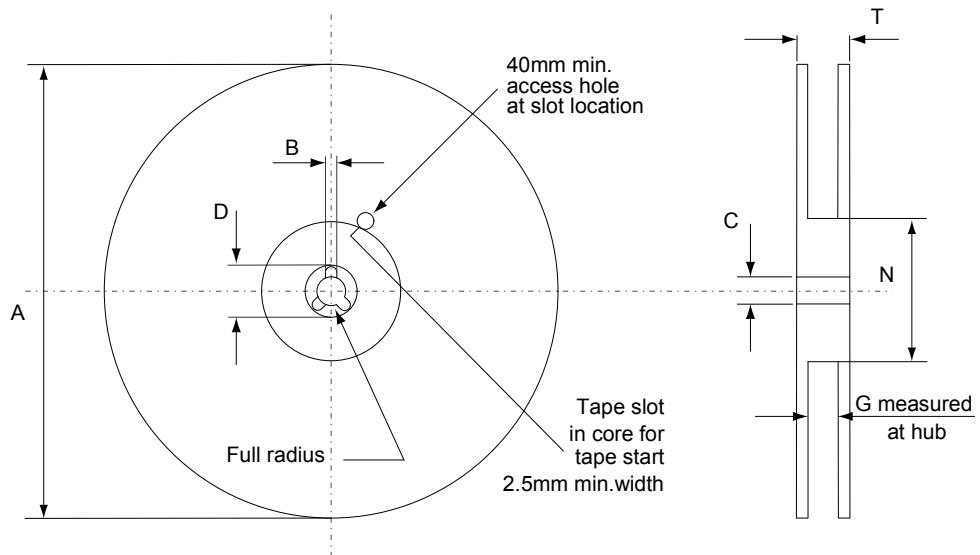


Figure 32. D²PAK type B reel outline



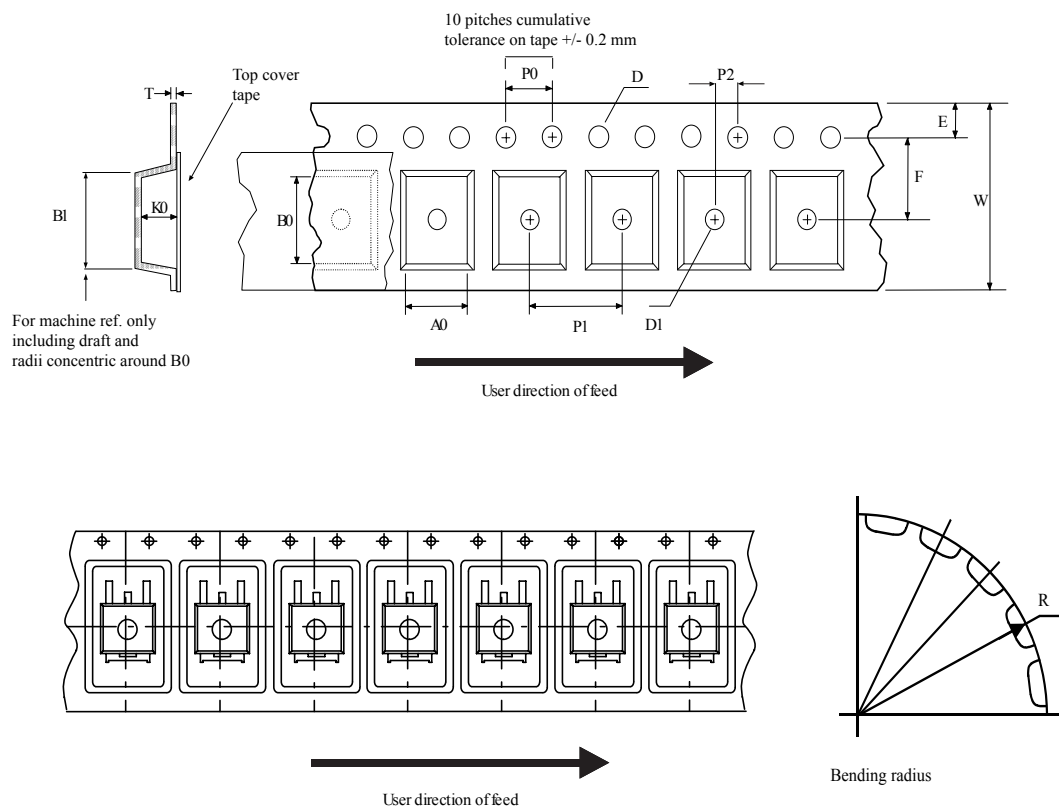
AM06038v1

Table 15. D²PAK type B reel mechanical data

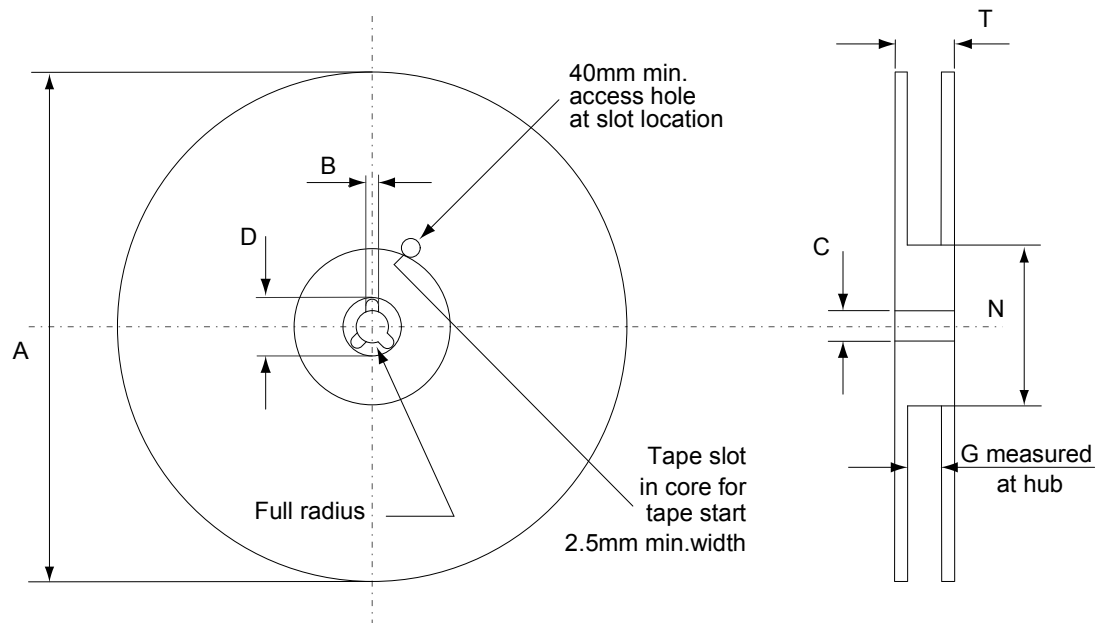
Dim.	mm	
	Min.	Max.
A		330
B	1.5	
C	12.8	13.2
D	20.2	
G	24.4	26.4
N	100	
T		30.4

4.8 DPAK (TO-252) packing information

Figure 33. DPAK (TO-252) tape outline



AM08852v1

Figure 34. DPAK (TO-252) reel outline


AM06038v1

Table 16. DPAK (TO-252) tape and reel mechanical data

Dim.	Tape		Reel		
	mm		Dim.	mm	
	Min.	Max.		Min.	Max.
A0	6.8	7	A		330
B0	10.4	10.6	B	1.5	
B1		12.1	C	12.8	13.2
D	1.5	1.6	D	20.2	
D1	1.5		G	16.4	18.4
E	1.65	1.85	N	50	
F	7.4	7.6	T		22.4
K0	2.55	2.75			
P0	3.9	4.1	Base qty.		2500
P1	7.9	8.1	Bulk qty.		2500
P2	1.9	2.1			
R	40				
T	0.25	0.35			
W	15.7	16.3			



5 Ordering information

Table 17. Order codes

Order codes	Marking	Package	Packing
STGB8NC60KD	GB8NC60KD	D ² PAK	Tape and reel
STGD8NC60KD	GD8NC60KD	DPAK	
STGF8NC60KD	GF8NC60KD	TO-220FP	Tube
STGP8NC60KD	GP8NC60KD	TO-220	



Revision history

Table 18. Document revision history

Date	Revision	Changes
02-Oct-2007	1	First release.
01-Apr-2008	2	Updated <i>Figure 14</i> and <i>Figure 17</i>
09-Jun-2023	3	Updated the entire Section 4 Package information . Minor text changes.



Contents

1	Electrical ratings	2
2	Electrical characteristics	3
2.1	Electrical characteristics (curves).....	6
3	Test circuits	9
4	Package information	10
4.1	D ² PAK (TO-263) package information	10
4.2	DPAK (TO-252) type A package information	14
4.3	DPAK (TO-252) type C3 package information	16
4.4	TO-220FP type B package information	19
4.5	TO-220 type A package information	21
4.6	D ² PAK type A packing information	23
4.7	D ² PAK type B packing information	25
4.8	DPAK (TO-252) packing information.....	26
5	Ordering information	28
	Revision history	29



IMPORTANT NOTICE – READ CAREFULLY

STMicroelectronics NV and its subsidiaries (“ST”) reserve the right to make changes, corrections, enhancements, modifications, and improvements to ST products and/or to this document at any time without notice. Purchasers should obtain the latest relevant information on ST products before placing orders. ST products are sold pursuant to ST’s terms and conditions of sale in place at the time of order acknowledgment.

Purchasers are solely responsible for the choice, selection, and use of ST products and ST assumes no liability for application assistance or the design of purchasers’ products.

No license, express or implied, to any intellectual property right is granted by ST herein.

Resale of ST products with provisions different from the information set forth herein shall void any warranty granted by ST for such product.

ST and the ST logo are trademarks of ST. For additional information about ST trademarks, refer to www.st.com/trademarks. All other product or service names are the property of their respective owners.

Information in this document supersedes and replaces information previously supplied in any prior versions of this document.

© 2023 STMicroelectronics – All rights reserved