

THE INFORMATION CONTAINED HEREIN IS CONSIDERED "PROPRIETARY" TO BEL FUSE INC. AND SHALL NOT BE COPIED, REPRODUCED OR DISCLOSED WITHOUT THE WRITTEN APPROVAL OF BEL FUSE INC.

RoHS



LED1 POLARITY			LED2 POLARITY		
PIN 13	PIN 14	COLOR	PIN 15	PIN 16	COLOR
-	+	YELLOW	-	+	GREEN
			+	-	ORANGE

ELECTRICAL CHARACTERISTICS @ 25°C

TURNS RATIO

TP1	1CT : 1CT ±2%
TP2	1CT : 1CT ±2%
TP3	1CT : 1CT ±2%
TP4	1CT : 1CT ±2%

DCI @ 100kHz/100mVRMS

8mA DC BIAS 350µH MIN.

INS. LOSS

0.1MHz TO 1MHz	-1.1 dB MAX
1MHz TO 65MHz	-0.5 dB MAX
65MHz TO 100MHz	-0.8 dB MAX
100MHz TO 125MHz	-1.2 dB MAX

RET. LOSS (MIN)

0.5MHz-40MHz	-18 dB
40MHz-100MHz	-12+20LOG(f/80MHz) dB

CM TO CM REJ

100kHz - 100MHz -30 dB MIN

CM TO DM REJ

100kHz - 100MHz -35 dB MIN

HIPOT (Isolation Voltage): 1500 Vrms or 2250VDC

100% OF PRODUCT TESTED IN PRODUCTION TO COMPLY WITH IEEE 802.3 REQUIREMENTS

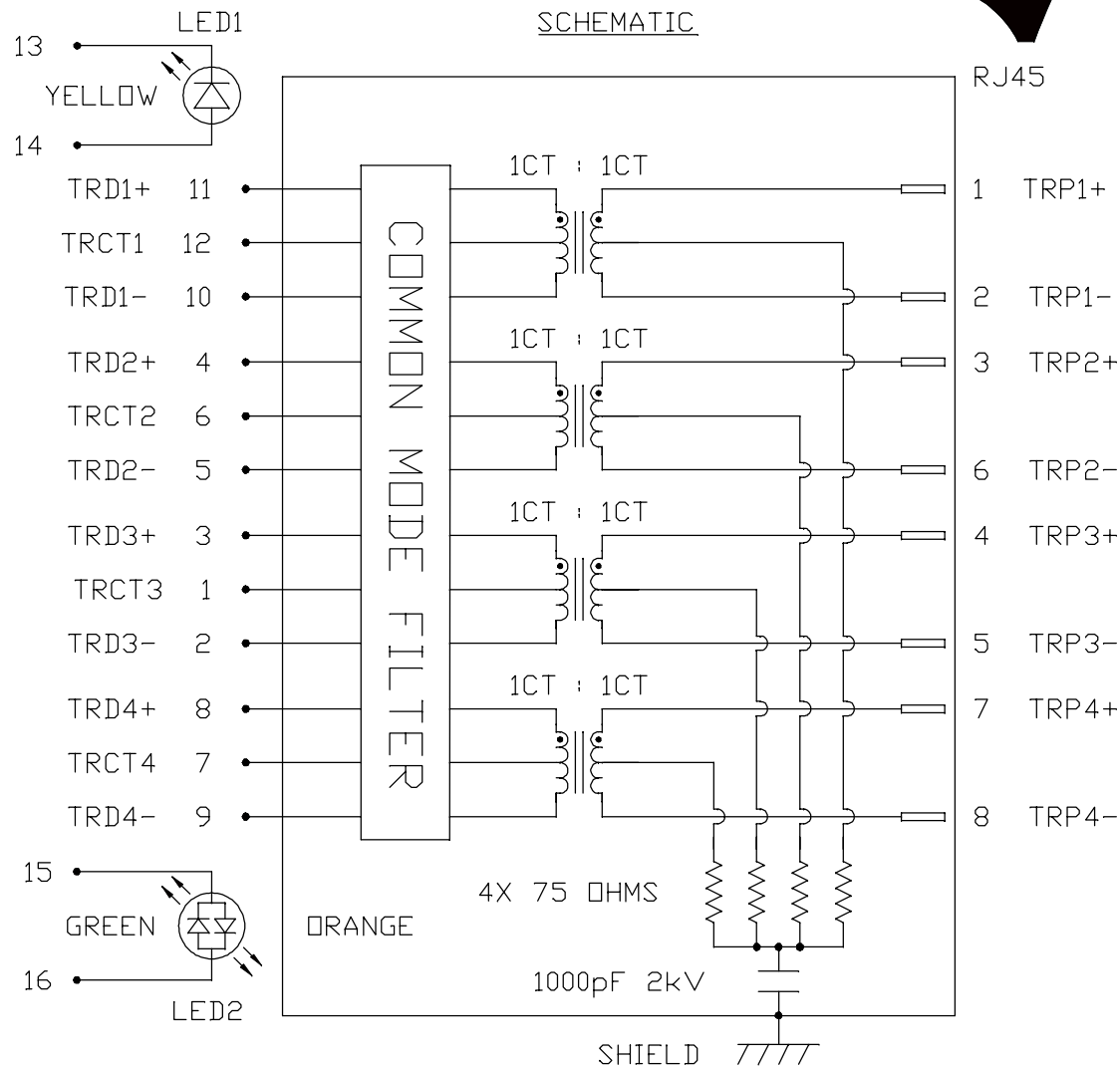
LED1

VF (FORWARD VOLTAGE)	IF=20mA YELLOW	2.1V TYP.
λD (DOMINANT WAVELENGTH)	IF=20mA YELLOW	590nm TYP.

LED2

VF (FORWARD VOLTAGE)	IF=20mA GREEN	2.2V TYP.
	ORANGE	2.0V TYP.
λD (DOMINANT WAVELENGTH)	IF=20mA GREEN	570nm TYP.
	ORANGE	605nm TYP.

OPERATING TEMPERATURE: 0°C TO +70°C.



RJ45

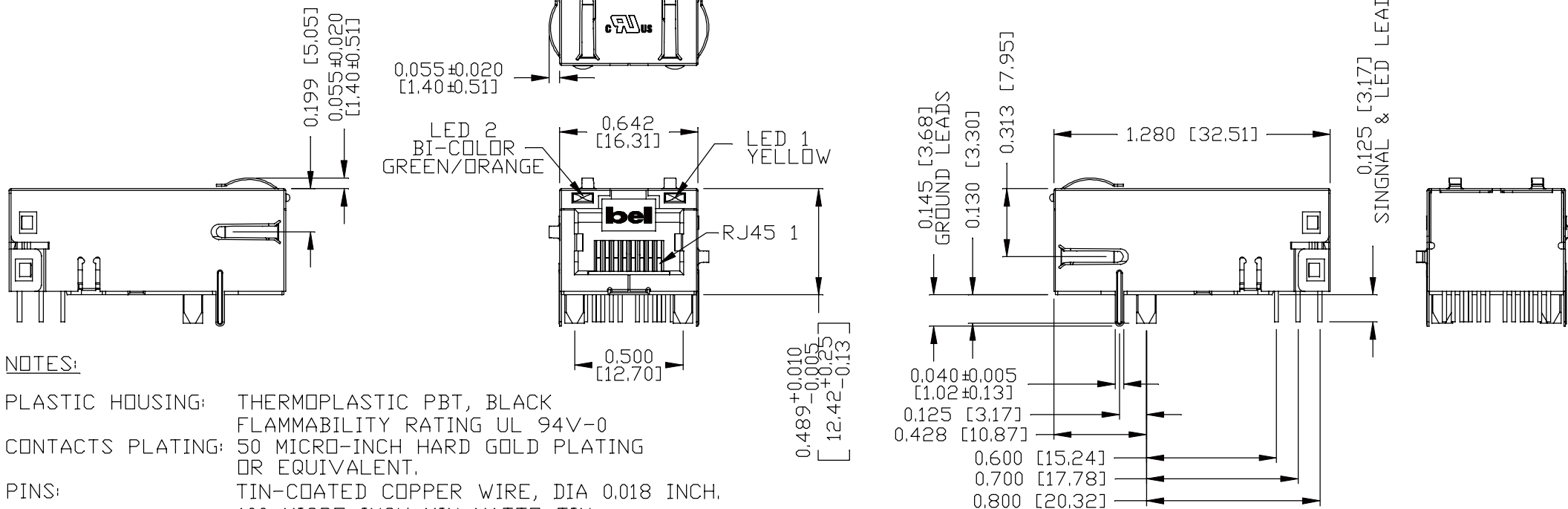
ORIGINATED BY CHOW WANCHUNG	TITLE gigabit MagJack® (8 cores, Tab Up)	PART NO. / DRAWING NO. L8261X1T43-F	STANDARD DIM. TOL. IN INCH	[] METRIC DIM. AS REF.
DATE 2017-12-07				
DRAWN BY ZHENG ZEHAD	L826-1X1T-43-F PATENTED	L8261X1T43-F_F.DWG	.X	UNIT : INCH [mm]
DATE 2017-12-07			.XX	SCALE : N/A
			.XXX	SIZE : A4

REV. : F PAGE : 2



THE INFORMATION CONTAINED HEREIN IS CONSIDERED "PROPRIETARY" TO BEL FUSE INC. AND SHALL NOT BE COPIED, REPRODUCED OR DISCLOSED WITHOUT THE WRITTEN APPROVAL OF BEL FUSE INC.

RoHS



NOTES:

- PLASTIC HOUSING: THERMOPLASTIC PBT, BLACK
- FLAMMABILITY RATING UL 94V-0
- CONTACTS PLATING: 50 MICRO-INCH HARD GOLD PLATING OR EQUIVALENT.
- PINS: TIN-COATED COPPER WIRE, DIA 0.018 INCH, 100 MICRO-INCH MIN MATTE TIN, PINS ARE SOLDER DIPPED.
- METAL SHIELD: NICKEL PLATED ON COPPER ALLOY (ALL GROUND LEADS ARE SOLDER DIPPING)

1. MARK PART WITH MFG. LOGO; MFG. NAME; PART NUMBER, DATE CODE AND PATENTED.
2. JACK CAVITY CONFORMS TO FCC RULES AND REGULATIONS.

cRU us UL RECOGNIZED - FILE #E196366 AND E169987.

3. THE PRODUCT IS RoHS COMPLIANT.
4. THE PRODUCT IS PATENTED. THE PATENT NUMBER IS U.S. PAT. 7,123,117.
5. THE PART IS RECOMMENDED FOR WAVE SOLDERING. THE SUGGESTED PEAK WAVE SOLDERING CONDITION IS 260°C MAX AND 10 SECONDS MAX.

ORIGINATED BY ANTON LIAO
DATE 2017-12-07
DRAWN BY LI QUANKUN
DATE 2017-12-07

TITLE gigabit MagJack® (8 cores, Tab Up) L826-1X1T-43-F PATENTED

PART NO. / DRAWING NO. L8261X1T43-F
FILE NAME L8261X1T43-F_F.DWG

STANDARD DIM. TOL. IN INCH	[] METRIC DIM. AS REF.
.X	UNIT : INCH [mm]
.XX	SCALE : N/A
.XXX ±0.010	SIZE : A4

REV. : F	PAGE : 3
<p>a bel group</p>	

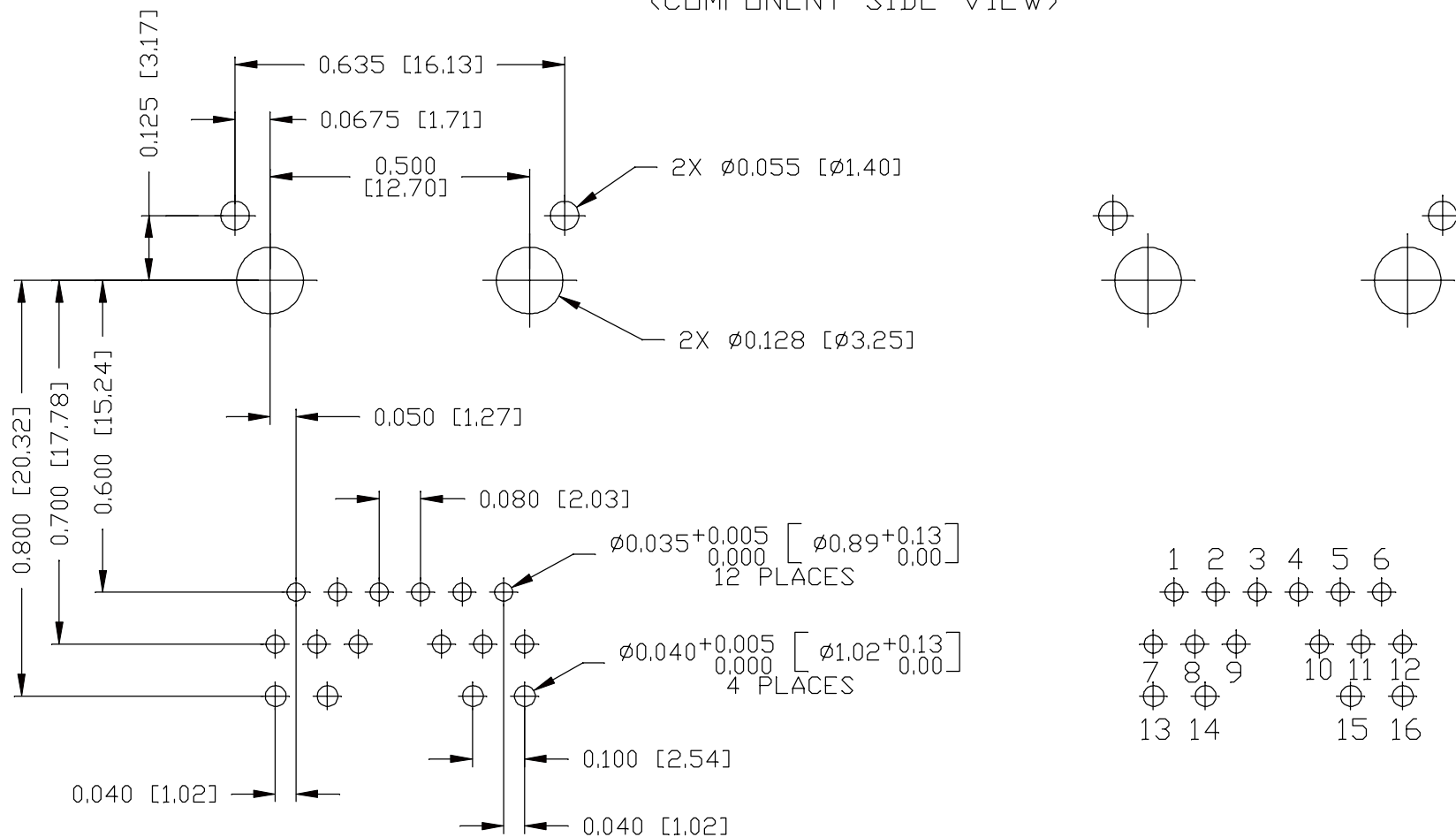
THE INFORMATION CONTAINED HEREIN IS CONSIDERED "PROPRIETARY" TO BEL FUSE INC. AND SHALL NOT BE COPIED, REPRODUCED OR DISCLOSED WITHOUT THE WRITTEN APPROVAL OF BEL FUSE INC.


RoHS



RECOMMENDED PCB FOOTPRINT

(COMPONENT SIDE VIEW)



REV. :	F	PAGE :	4
 bel MAGNETIC SOLUTIONS a bel group			

ORIGINATED BY ANTON LIAO	TITLE glgabit MagJack® (8 cores, Tab Up) L826-1X1T-43-F PATENTED
DATE 2017-12-07	
DRAWN BY LI QUANKUN	
DATE 2017-12-07	

PART NO. / DRAWING NO. L8261X1T43-F
FILE NAME L8261X1T43-F_F.DWG

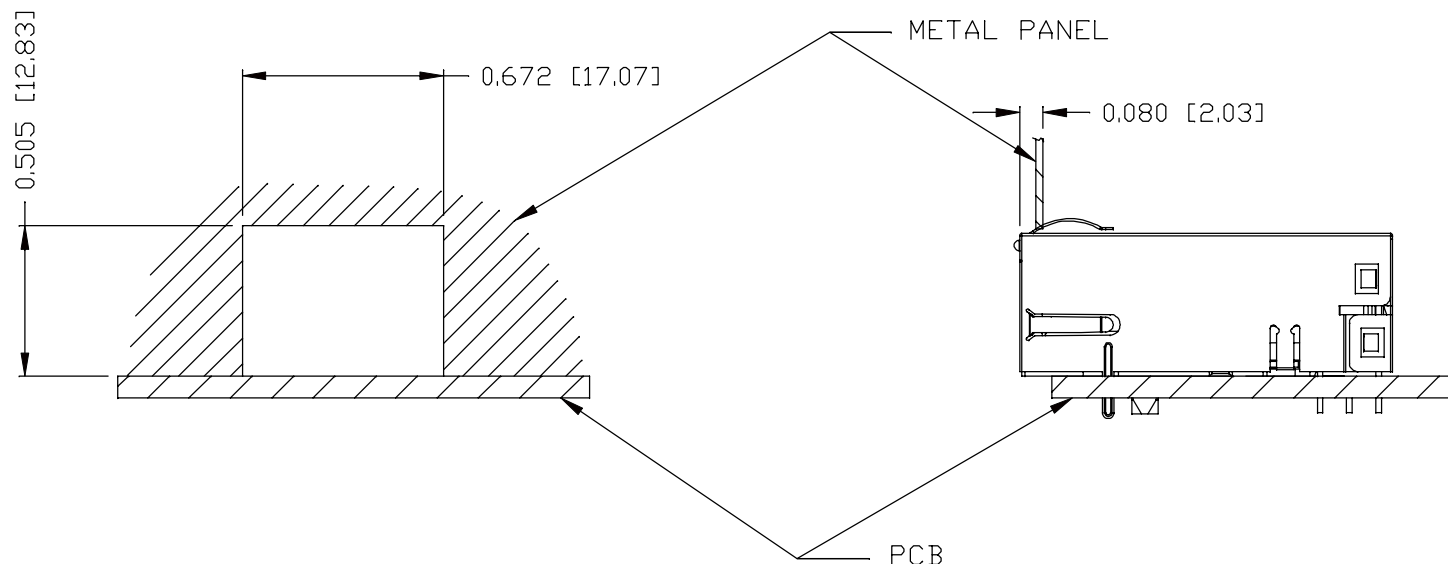
STANDARD DIM. TOL. IN INCH .X .XX .XXX ±0.004	[] METRIC DIM. AS REF. UNIT : INCH [mm] SCALE : N/A SIZE : A4
---------------------------------------------------------------	--------------------------------------------------------------------------------

REV. : F		PAGE : 4	
-----------------	--	-----------------	--

THE INFORMATION CONTAINED HEREIN IS CONSIDERED "PROPRIETARY" TO BEL FUSE INC. AND SHALL NOT BE COPIED, REPRODUCED OR DISCLOSED WITHOUT THE WRITTEN APPROVAL OF BEL FUSE INC.



SUGGESTED PANEL OPENING



NOTE:

THE DISTANCE OF PANEL INSIDE SURFACE RELATIVE TO FRONT SURFACE OF PART IS ONLY A SUGGESTION. IN CASE THIS DISTANCE IS DIFFERENT, THE REQUIRED PANEL OPENING DIMENSIONS CHANGE ACCORDINGLY.

PACKING INFORMATION

PACKING TRAY: 0200-9999-D6 (TOP)

0200-9999-D7 (BOTTOM)

PACKING QUANTITY: 40 PCS FINISHED GOODS PER TRAY

11 TRAYS (440 PCS FINISHED GOODS) PER CARTON BOX

NOTE: CARDBOARDS ARE PLACED BETWEEN LAYERS OF PACKING TRAY INSIDE CARTON BOX

(INCLUDE THE UPPERMOST AND LOWERMOST TRAY)

REV. :	F	PAGE :	5
--------	---	--------	---

ORIGINATED BY ANTON LIAO DATE 2017-12-07	TITLE gigabit MagJack® (8 cores, Tab Up) L826-1X1T-43-F PATENTED	PART NO. / DRAWING NO. L8261X1T43-F FILE NAME L8261X1T43-F_F.DWG	STANDARD DIM. [] METRIC DIM. TOL. IN INCH AS REF.	
			.X	UNIT : INCH [mm]
			.XX	SCALE : N/A
DRAWN BY LI QUANKUN DATE 2017-12-07			.XXX	±0.004

