

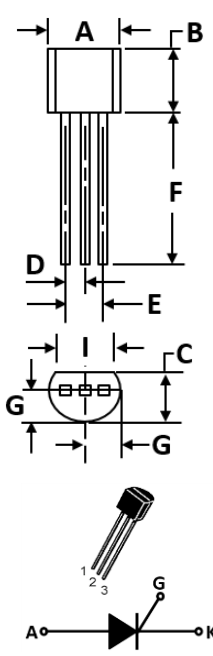
S08xxA SERIES(LS)

Sensitive Gate Silicon Controlled Rectifiers Reverse Blocking Thyristors	SCRs 0.8 AMPERES RMA 600 VOLTS
---	---

FEATURES

- Sensitive Gate Allows Triggering by Microcontrollers and Other Logic Circuits
- Blocking Voltage to 600 Volts
- On-State Current Rating of 0.8 Amperes RMS at 80°C
- High Surge Current Capability — 10 Amperes
- Minimum and Maximum Values of IGT, VGT and IH Specified for Ease of Design
- Immunity to dV/dt — 20 V/us Minimum at T_J=110°C
- Glass-Passivated Surface for Reliability and Uniformity
- Pb-Free Package
- TO-92
 - Lead-Free Finish; RoHS Compliant (Notes 1 & 2)
- Available in "Green" Package: TO-92
 - Lead-Free Finish; RoHS Compliant (Notes 1 & 2)
 - Halogen and Antimony Free. "Green" Device (Note 3)

TO-92 (TO-226AA)



TO-92		
Dim.	Min.	Max.
A	4.45	4.70
B	4.32	5.33
C	3.18	4.19
D	1.15	1.39
E	2.42	2.66
F	12.7	--
G	2.04	2.66
I	3.43	--

PIN ASSIGNMENT	
1	Cathode
2	Gate
3	Anode

All Dimensions in millimeter

MAXIMUM RATINGS AND ELECTRICAL CHARACTERISTICS
Ratings at 25°C ambient temperature unless otherwise specified.

CHARACTERISTICS	SYMBOL	VALUE	UNIT
Peak Repetitive Off- State Voltage (T _J = -40 to 110°C, Sine Wave, 50 to 60 Hz; Gate Open) S08U25600A S08U50600A S08M02600A	V _{DMS} V _{RRM}	600	V
On-State RMS Current (T _C = 80°C) 180° Conduction Angles	I _{T(RMS)}	0.8	A
Peak Non-Repetitive Surge Current (1/2 Cycle, Sine Wave, 60 Hz, T _J = 25°C)	I _{TSM}	10	A
Circuit Fusing Consideration (t = 8.3 ms)	I ² t	0.415	A ² s
Forward Peak Gate Power (T _A = 25°C, Pulse Width 1.0 us)	P _{GM}	0.1	W
Forward Average Gate Power (T _A = 25°C, t = 8.3 ms)	P _{GM(AV)}	0.01	W
Forward Peak Gate Current (T _A = 25°C, Pulse Width ≤ 1.0 us)	I _{GM}	1.0	A
Reverse Peak Gate Voltage (T _A = 25°C, Pulse Width ≤ 1.0 ms)	V _{GRM}	5	V
Operating temperature range @ Rate V _{RRM} and V _{DRM}	T _J	-40 to +110	°C
Storage temperature range	T _{STG}	-40 to +150	°C

Note :

1. EU Directive 2002/95/EC (RoHS), 2011/65/EU (RoHS 2) & 2015/863/EU (RoHS 3) compliant. All applicable RoHS exemptions applied.
2. See <https://www.diodes.com/quality/lead-free/> for more information about Diodes Incorporated's definitions of Halogen- and Antimony-free, "Green" and Lead-free.
3. Halogen- and Antimony-free "Green" products are defined as those which contain <900ppm bromine, <900ppm chlorine (<1500ppm total Br + Cl) and <1000ppm antimony compounds.
4. V_{DRM} and V_{RRM} for all types can be applied on a continuous basis. Ratings apply for zero or negative gate voltage; positive gate voltage shall not be applied concurrent with negative potential on the anode. Blocking voltages shall not be tested with a constant current source such that the voltage ratings of the devices are exceeded.

**RATING AND CHARACTERISTIC CURVES
S08xxA SERIES**

THERMAL CHARACTERISTICS

CHARACTERISTICS	SYMBOL	VALUE	UNIT
Thermal Resistance - Junction to Case - Junction to Ambient	RthJC RthJA	75 150	°C/W
Maximum Lead Temperature for Soldering Purposes 1/16" from Case for 10 Seconds	T _L	260	°C

ELECTRICAL CHARACTERISTICS (T_J = 25°C unless otherwise noted)

OFF CHARACTERISTICS

CHARACTERISTICS	SYMBOL	MAX	UNIT
Peak Repetitive Forward or Reverse Blocking Current (V _D =Rated V _{DRM} and V _{RRM} ; RGK =1K Ohms)	I _{DRM} I _{RRM}	10 100	μA
Maximum Lead Temperature for Soldering Purposes 1/16" from Case for 10 Seconds	T _L	260	°C

ON CHARACTERISTICS

CHARACTERISTICS	SYMBOL	MAX	UNIT
Peak Forward On-State Voltage (I _{TM} = ± 1.6A Peak, Pulse Width ≤ 1.0ms, Duty Cycle ≤ 1%)	V _{TM}	1.7	V
Gate Trigger Current(V _D = 7.0 Vdc,RL=100 Ohms) (1)	I _{GT}	25 50 200	μA
Holding Current(V _D = 7.0 Vdc, Initiating Current = 20mA)	I _H	5 10	mA
Gate Trigger Voltage(V _D = 7.0 Vdc,RL=100 Ohms) (1)	V _{GT}	10 100	V
Latch Current(V _D = 7.0 Vdc, RL 100 Ohms)	I _L	10 100	mA

DANAMIC CHARACTERISTICS

CHARACTERISTICS	SYMBOL	MIN.	UNIT
Critical Rate of Rise of Off-State Voltage (V _D =Rated V _{DRM} , Exponential Waveform, PGK=1K Ohms, T _J =110°C)	dv/dt	20	V/us

(1) RGK current is not included in measurement

**RATING AND CHARACTERISTIC CURVES
S08xxA SERIES**

Voltage Current Characteristic of SCR

Symbol	Parameter
V_{DRM}	Peak Repetitive Off State Forward Voltage
I_{DRM}	Peak Forward Blocking Current
V_{RRM}	Peak Repetitive Off State Reverse Voltage
I_{RRM}	Peak Reverse Blocking Current
V_{TM}	Peak on State Voltage
I_H	Holding Current

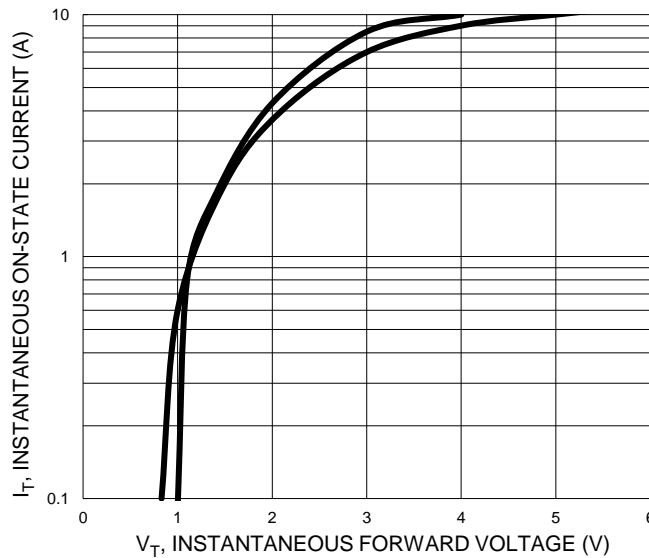
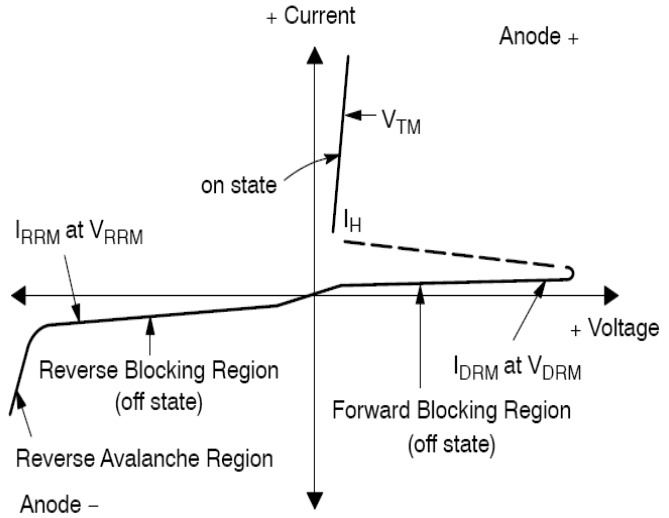
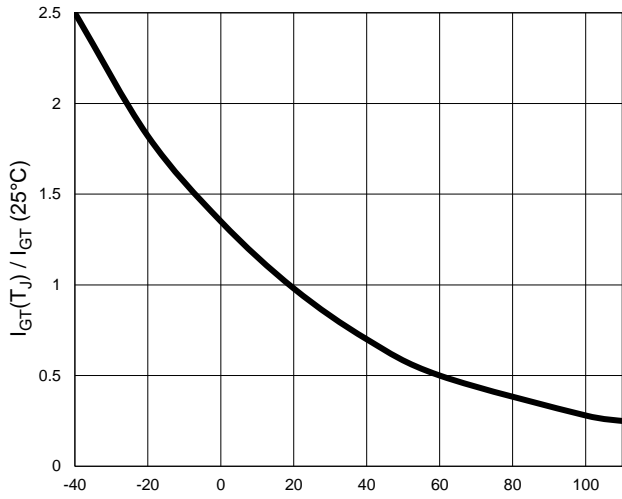


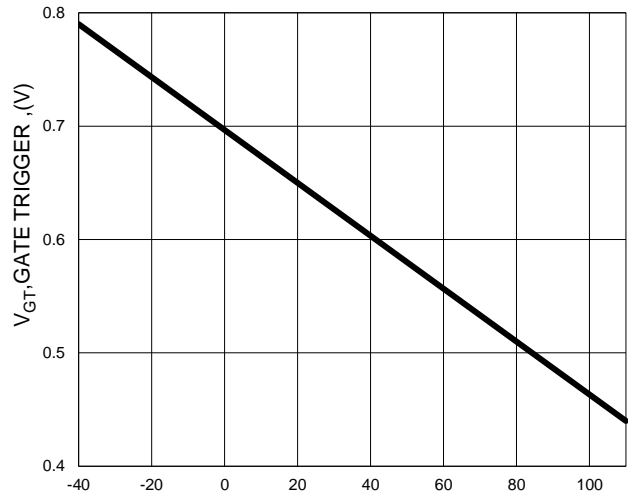
FIG.1- ON-STATE CHARACTERISTICS

**RATING AND CHARACTERISTIC CURVES
S08xxA SERIES**



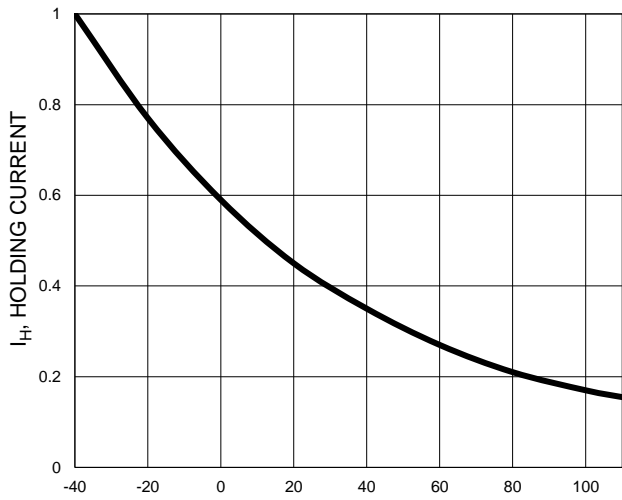
T_J JUNCTION TEMPERATURE, (°C)

FIG. 2- I_{GT}(T_J) / I_{GT}(25°C) VERSUS T_J



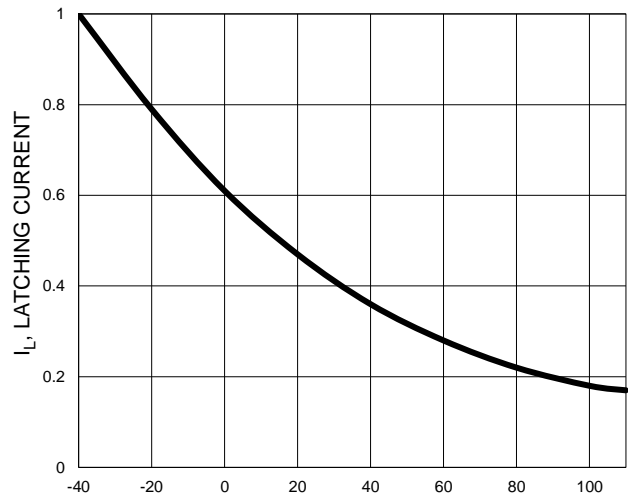
T_J JUNCTION TEMPERATURE, (°C)

FIG. 3- TYPICAL V_{GT} VERSUS T_J



T_J JUNCTION TEMPERATURE, (°C)

FIG. 4- TYPICAL I_H VERSUS T_J



T_J JUNCTION TEMPERATURE, (°C)

FIG. 5- TYPICAL I_L VERSUS T_J

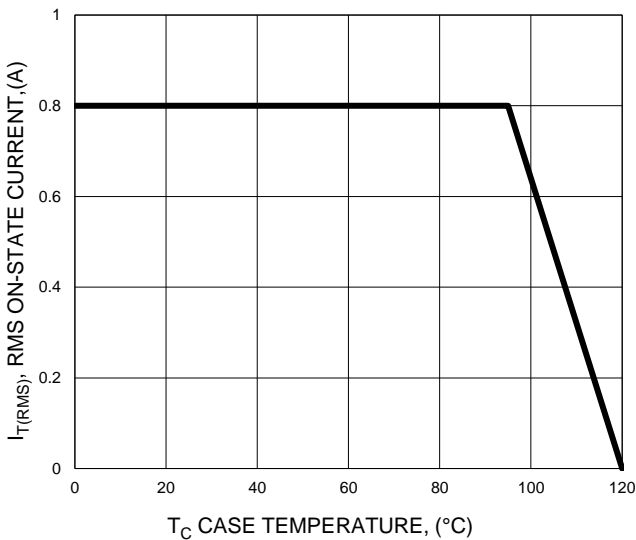


FIG. 6- ON-STATE CURRENT DERATING CURVE

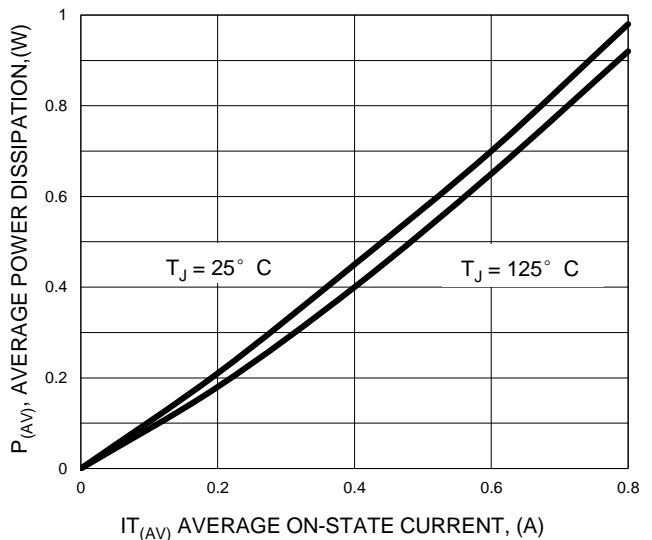


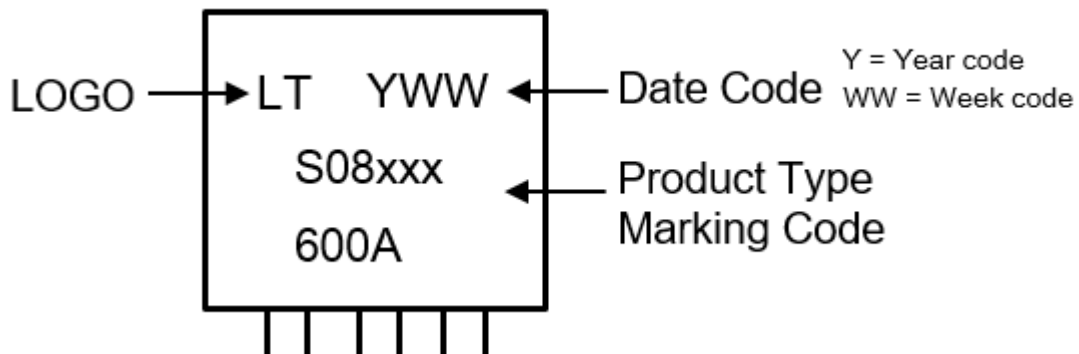
FIG. 7- POWER DISSIPATION VERSUS I_T

Ordering Information :



Part Number	Package	Packing	
		Qty.	Carrier
S08U50600A	TO-92	2000pcs	Reel
S08M02600A	TO-92	2000pcs	Reel
S08M02600A-BU	TO-92	1000pcs	Bulk
S08M02600A_HF	TO-92	2000pcs	Reel

Marking Information :



IMPORTANT NOTICE

1. DIODES INCORPORATED (Diodes) AND ITS SUBSIDIARIES MAKE NO WARRANTY OF ANY KIND, EXPRESS OR IMPLIED, WITH REGARDS TO ANY INFORMATION CONTAINED IN THIS DOCUMENT, INCLUDING, BUT NOT LIMITED TO, THE IMPLIED WARRANTIES OF MERCHANTABILITY, FITNESS FOR A PARTICULAR PURPOSE OR NON-INFRINGEMENT OF THIRD PARTY INTELLECTUAL PROPERTY RIGHTS (AND THEIR EQUIVALENTS UNDER THE LAWS OF ANY JURISDICTION).
2. The Information contained herein is for informational purpose only and is provided only to illustrate the operation of Diodes' products described herein and application examples. Diodes does not assume any liability arising out of the application or use of this document or any product described herein. This document is intended for skilled and technically trained engineering customers and users who design with Diodes' products. Diodes' products may be used to facilitate safety-related applications; however, in all instances customers and users are responsible for (a) selecting the appropriate Diodes products for their applications, (b) evaluating the suitability of Diodes' products for their intended applications, (c) ensuring their applications, which incorporate Diodes' products, comply the applicable legal and regulatory requirements as well as safety and functional-safety related standards, and (d) ensuring they design with appropriate safeguards (including testing, validation, quality control techniques, redundancy, malfunction prevention, and appropriate treatment for aging degradation) to minimize the risks associated with their applications.
3. Diodes assumes no liability for any application-related information, support, assistance or feedback that may be provided by Diodes from time to time. Any customer or user of this document or products described herein will assume all risks and liabilities associated with such use, and will hold Diodes and all companies whose products are represented herein or on Diodes' websites, harmless against all damages and liabilities.
4. Products described herein may be covered by one or more United States, international or foreign patents and pending patent applications. Product names and markings noted herein may also be covered by one or more United States, international or foreign trademarks and trademark applications. Diodes does not convey any license under any of its intellectual property rights or the rights of any third parties (including third parties whose products and services may be described in this document or on Diodes' website) under this document.
5. Diodes' products are provided subject to Diodes' Standard Terms and Conditions of Sale (<https://www.diodes.com/about/company/terms-and-conditions/terms-and-conditions-of-sales/>) or other applicable terms. This document does not alter or expand the applicable warranties provided by Diodes. Diodes does not warrant or accept any liability whatsoever in respect of any products purchased through unauthorized sales channel.
6. Diodes' products and technology may not be used for or incorporated into any products or systems whose manufacture, use or sale is prohibited under any applicable laws and regulations. Should customers or users use Diodes' products in contravention of any applicable laws or regulations, or for any unintended or unauthorized application, customers and users will (a) be solely responsible for any damages, losses or penalties arising in connection therewith or as a result thereof, and (b) indemnify and hold Diodes and its representatives and agents harmless against any and all claims, damages, expenses, and attorney fees arising out of, directly or indirectly, any claim relating to any noncompliance with the applicable laws and regulations, as well as any unintended or unauthorized application.
7. While efforts have been made to ensure the information contained in this document is accurate, complete and current, it may contain technical inaccuracies, omissions and typographical errors. Diodes does not warrant that information contained in this document is error-free and Diodes is under no obligation to update or otherwise correct this information. Notwithstanding the foregoing, Diodes reserves the right to make modifications, enhancements, improvements, corrections or other changes without further notice to this document and any product described herein. This document is written in English but may be translated into multiple languages for reference. Only the English version of this document is the final and determinative format released by Diodes.
8. Any unauthorized copying, modification, distribution, transmission, display or other use of this document (or any portion hereof) is prohibited. Diodes assumes no responsibility for any losses incurred by the customers or users or any third parties arising from any such unauthorized use.
9. This Notice may be periodically updated with the most recent version available at <https://www.diodes.com/about/company/terms-and-conditions/important-notice>

DIODES is a trademark of Diodes Incorporated in the United States and other countries.
The Diodes logo is a registered trademark of Diodes Incorporated in the United States and other countries.
© 2022 Diodes Incorporated. All Rights Reserved.

www.diodes.com