



# Serial Quad I/O™ (SQI™) Flash Memory

26 Series

Product Brief

October 2010

## Product Description

SST 26 Series boosts performance while maintaining the compact form factor of standard serial devices. Utilizing Serial Quad Interface (SQI™) and operating at frequencies reaching 80 MHz, SST 26 Series is a perfect choice for Bluetooth headsets, optical disk drives and GPS applications.

SST 26 Series SQI flash memories are manufactured with SST's proprietary, high performance CMOS SuperFlash® Technology, significantly improving performance and reliability while lowering power consumption. For cutting edge designs requiring high bandwidth and compact layout, SST 26 Series is an ideal solution.



## Key Features

### High Speed Clock Frequency

- 80 MHz Max

### Serial Interface Architecture

- 14-bit multiplexed I/Os with SPI-like serial command structure (mode 3 and mode 1)
- SPI protocol support for Read, High Speed Read and Jedec ID Read

### Burst Read

- 8, 16, 32, 64 byte burst with wrap around

### Index Jump

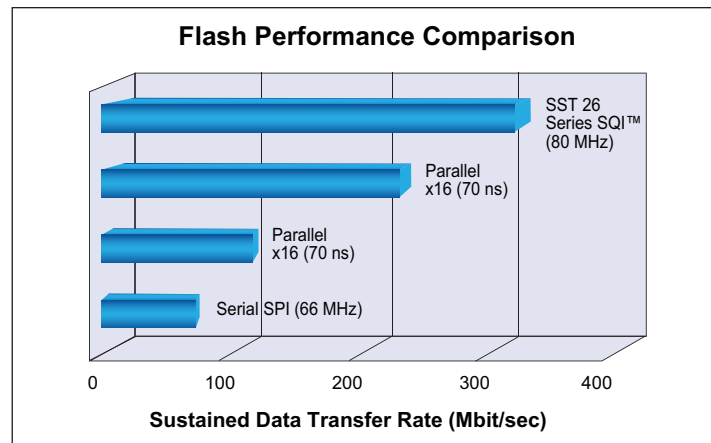
- Reduce number of input clocks for faster data access

### Write Suspend and Resume

- Suspend Program or Erase operation

### Protection/Security

- Individual Block Locking (64 KB blocks with 8x8 KB parameter blocks)
- Write protection through Block-Protection bits in status register
- One Time Programmable (OTP) 256-bit Secure ID



## Applications

- Bluetooth Headsets
- Optical Disk Drives
- GPS
- Portable Media Devices
- Digital Video Recorder
- Blu-Ray Players
- Hard Disk Drives

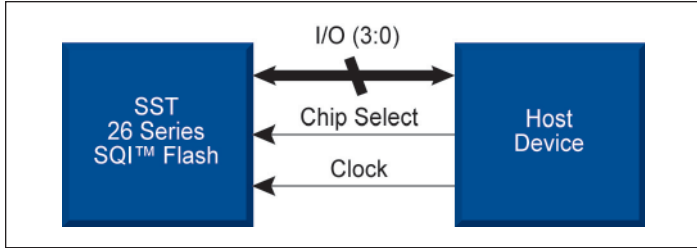


Silicon Storage Technology, Inc.  
1020 Kifer Road  
Sunnyvale, CA 94086-5308  
Tel: (408) 735-9110  
Fax: (408) 735-9036

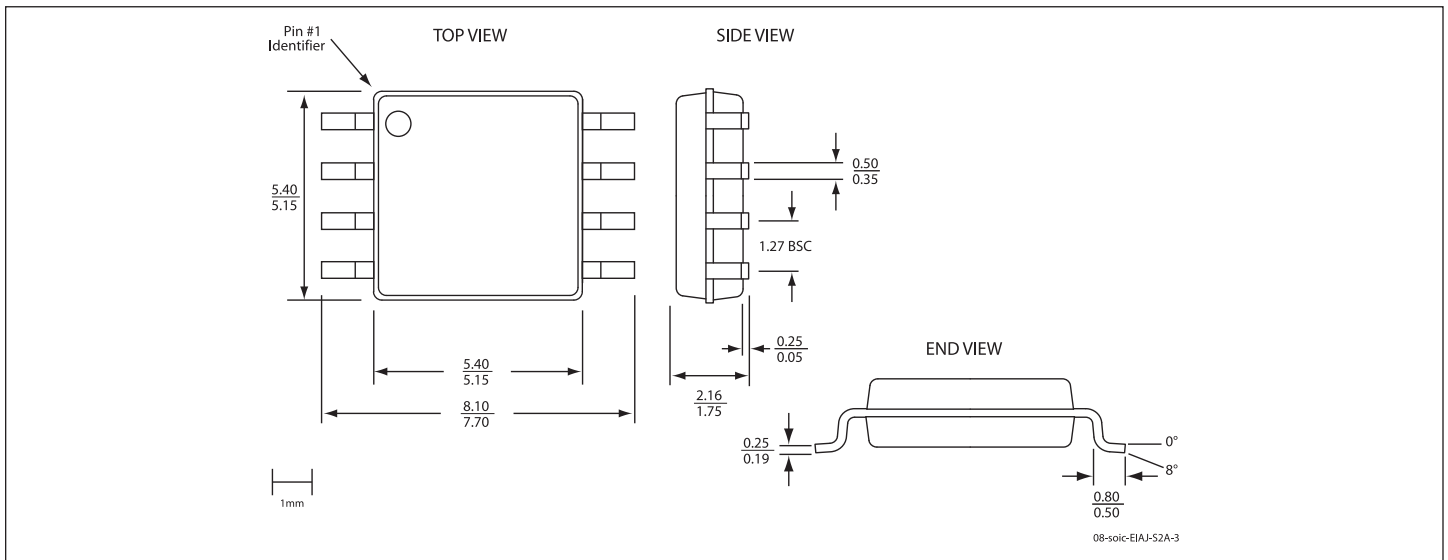
www.SST.com  
www.SuperFlash.com

26 Series					
Device	Density	Voltage	Clock Frequency	Temperature	Packages
SST26VF016	16 Mbit	2.7-3.6V	80 MHz	Commercial/Industrial	SOIC-8, WSON-8
SST26VF032	32 Mbit	2.7-3.6V	80 MHz	Commercial/Industrial	SOIC-8, WSON-8
SST26VF064	64 Mbit	2.7-3.6V	80 MHz	Commercial/Industrial	SOIC-16

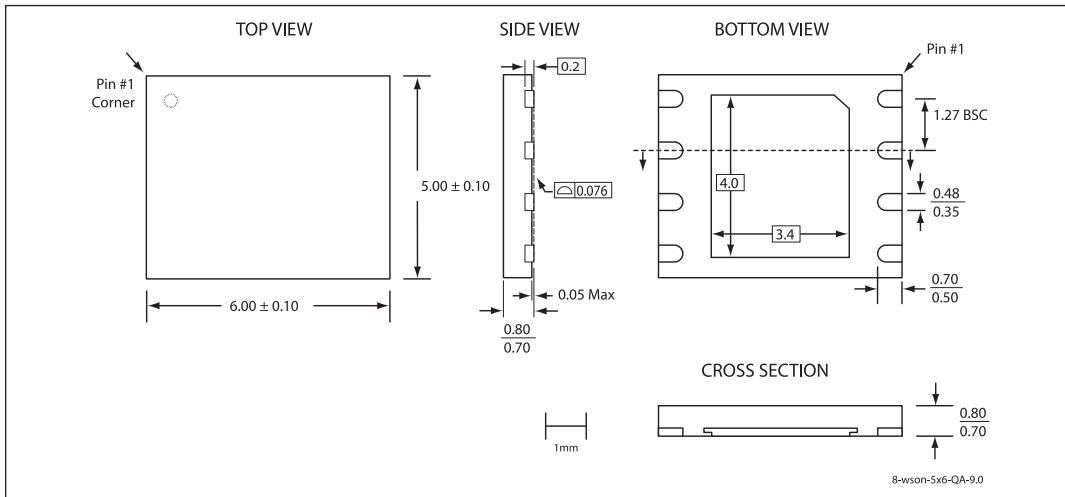
**Interface**



**Package Diagram (SOIC-8)**



**Package Diagram (WSON-8)**



**Silicon Storage Technology, Inc., a wholly owned subsidiary of Microchip Technology Inc.**

© 2010 Silicon Storage Technology, Inc. All rights reserved. The SST logo, SST and SuperFlash are registered trademarks and Serial Quad I/O and SQI are trademarks of Silicon Storage Technology, Inc. These specifications are subject to change without notice. Printed in the U.S.A. 10/10  
DS01358A



**www.SST.com**

**Silicon Storage Technology, Inc.**  
1020 Kifer Road  
Sunnyvale, CA 94086-5308  
Tel: (408) 735-9110  
Fax: (408) 735-9036