

CGA5L3X7R1H335M160AB

TDK Item Description : CGA5L3X7R1H335MT****

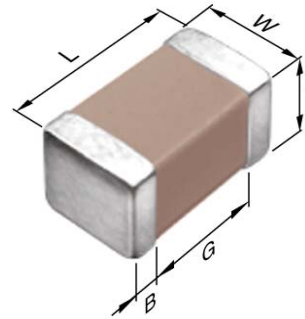


Application & Main Feature

Automotive Grade (General (Up to 50V))

Series

CGA5(3216) [EIA CC1206]



Dimensions

L	3.20mm +0.3mm,-0.1mm
W	1.60mm +0.3mm,-0.1mm
T	1.60mm +0.3mm,-0.1mm
B	0.20mm Min.
G	1.00mm Min.

Temperature Characteristic

X7R (-55 to 125 degC +/-15%)

Rated Voltage

1H (50Vdc)

Capacitance

3.3uF

Capacitance Tolerance

M (+/-20%)

Dissipation Factor

5% Max.

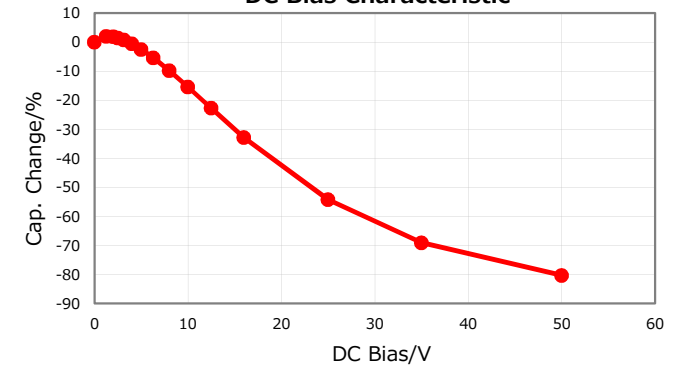
Insulation Resistance

151Mohm Min.

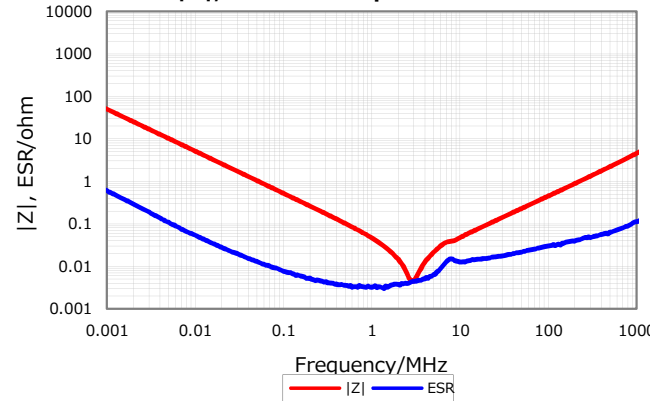
AEC-Q200

Yes

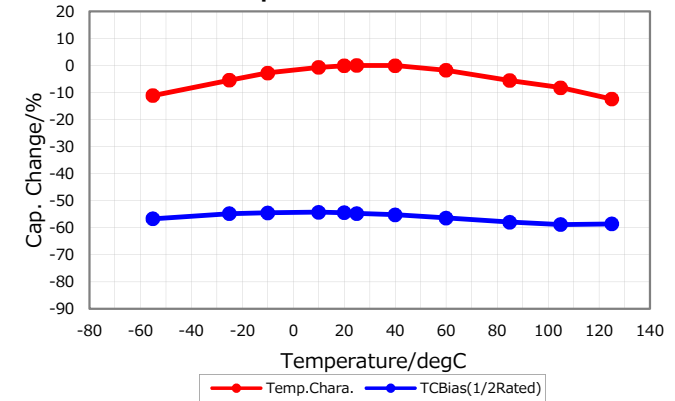
DC Bias Characteristic



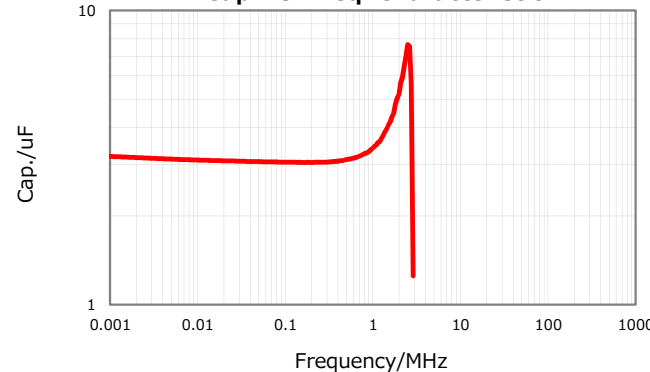
|Z|, ESR vs. Freq. Characteristics



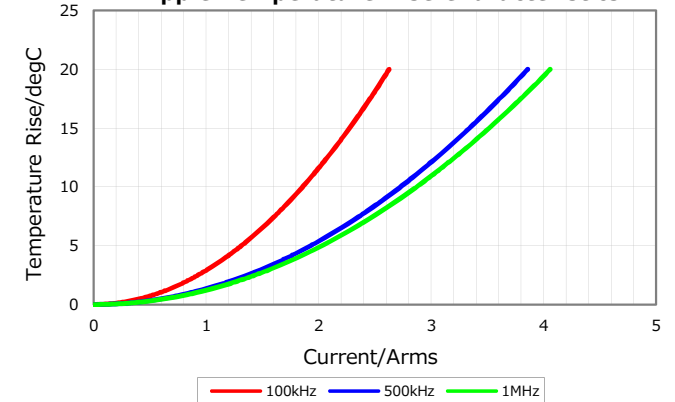
Temperature Characteristics



Cap. vs. Freq. Characteristic



Ripple Temperature Rise Characteristics



Characterization Sheet (Multilayer Ceramic Chip Capacitors)



All specifications are subject to change without notice.

September 8, 2017