

Product / Process Change Notification



N° 2014-143-A

Dear Customer,

Please find attached our INFINEON Technologies PCN:

Implementation of TO220 Fullpak products in Nantong Fujitsu Microelectronics Co., Ltd. (NFME) for CoolMOS™ and OptiMOS™ products

Important information for your attention:

- Please respond to this PCN by indicating your decision on the approval form, sign it and return to your sales partner before **9th July 2015**.
- Infineon aligns with the widely-recognized JEDEC STANDARD "JESD46", which stipulates:
"Lack of acknowledgement of the PCN within 30 days constitutes acceptance of the change. "

Your prompt reply will help Infineon Technologies to assure a smooth and well executed transition. If Infineon does not hear from your side by the due date, we will assume your full acceptance to this proposed change and its implementation.

Your attention and response to this matter is greatly appreciated.

Disclaimer:

If we do not receive any response within the given time limit we consider this as the acceptance of the PCN.

Product / Process Change Notification



N° 2014-143-A

SUBJECT OF CHANGE: Implementation of TO220 Fullpak products in Nantong Fujitsu Microelectronics Co., Ltd. (NFME) for CoolMOS™ and OptiMOS™ products

PRODUCTS AFFECTED: Please refer to 1_cip14143a

REASON OF CHANGE: Infineon Production Strategy and to fulfil customers increasing demand for TO220Fullpack products

DESCRIPTION OF CHANGE:	<u>OLD</u>	<u>NEW</u>
■ Assembly fab and final test location	Infineon Technologies (Malaysia) Sdn. Bhd. ASE (Weihai) Inc., China PSi, Philippines	Nantong Fujitsu Microelectronics Co., Ltd. (NFME), China ASE (Weihai) Inc., China PSi, Philippines
■ Package Visual Appearance	Please refer to 3_cip14143a	

PRODUCT IDENTIFICATION: Traceability ensured via Bau number, Lot number, Date code and Marking on devices

TIME SCHEDULE:

■ Final qualification report:	available
■ First samples available:	available
■ Start of delivery:	31-August-2015 or earlier based on customer acceptance

ASSESSMENT: The same Bill Of Materials are used for the assembly in NFME as currently in Infineon Technologies Malaysia.
Product Quality and Reliability remains the same as proven by product qualification.
Product data sheets with all electrical characteristics remain unchanged.
Package Outer Dimensions are within the datasheet package drawing.

DOCUMENTATION:		
	1_cip14143a	List of affected products
	3_cip14143a	Package Visual appearance

PCN N° 2014-143-A

Implementation of TO220 Fullpak products in Nantong
Fujitsu Microelectronics Co., Ltd. (NFME) for CoolMOSTM
and OptiMOSTM products



Sales Name	Current SP number	OPN	Package
IPA028N08N3 G	SP000446770	IPA028N08N3GXKSA1	PG-TO220-3
IPA029N06N	SP001199858	IPA029N06NXXKSA1	PG-TO220-3
IPA030N10N3 G	SP000464914	IPA030N10N3GXKSA1	PG-TO220-3
IPA032N06N3 G	SP000453608	IPA032N06N3GXKSA1	PG-TO220-3
IPA037N08N3 G	SP000446772	IPA037N08N3GXKSA1	PG-TO220-3
IPA040N06N	SP001196264	IPA040N06NXXKSA1	PG-TO220-3
IPA041N04N G	SP001191328	IPA041N04NGXKSA1	PG-TO220-3
IPA045N10N3 G	SP000478912	IPA045N10N3GXKSA1	PG-TO220-3
IPA057N06N3 G	SP000457582	IPA057N06N3GXKSA1	PG-TO220-3
IPA057N08N3 G	SP000454442	IPA057N08N3GXKSA1	PG-TO220-3
IPA060N06N	SP001099646	IPA060N06NXXKSA1	PG-TO220-3
IPA075N15N3 G	SP000607018	IPA075N15N3GXKSA1	PG-TO220-3
IPA083N10N5	SP001226038	IPA083N10N5XKSA1	PG-TO220-3
IPA086N10N3 G	SP000485984	IPA086N10N3GXKSA1	PG-TO220-3
IPA093N06N3 G	SP000451088	IPA093N06N3GXKSA1	PG-TO220-3
IPA100N08N3 G	SP000473900	IPA100N08N3GXKSA1	PG-TO220-3
IPA105N15N3 G	SP000677850	IPA105N15N3GXKSA1	PG-TO220-3
IPA126N10N3 G	SP000485964	IPA126N10N3GXKSA1	PG-TO220-3
IPA180N10N3 G	SP000480108	IPA180N10N3GXKSA1	PG-TO220-3
IPA50R140CP	SP000234988	IPA50R140CPXKSA1	PG-TO220-3
IPA50R199CP	SP000236081	IPA50R199CPXKSA1	PG-TO220-3
IPA50R250CP	SP000236080	IPA50R250CPXKSA1	PG-TO220-3
IPA50R299CP	SP000236079	IPA50R299CPXKSA1	PG-TO220-3
IPA50R350CP	SP000236078	IPA50R350CPXKSA1	PG-TO220-3
IPA50R399CP	SP000234987	IPA50R399CPXKSA1	PG-TO220-3
IPA50R520CP	SP000236076	IPA50R520CPXKSA1	PG-TO220-3
IPA60R099C6	SP000658000	IPA60R099C6XKSA1	PG-TO220-3
IPA60R099C6 E8191	SP001117570	IPA60R099C6E8191XKSA1	PG-TO220-3
IPA60R099P6	SP001114654	IPA60R099P6XKSA1	PG-TO220-3
IPA60R125C6	SP000685848	IPA60R125C6XKSA1	PG-TO220-3
IPA60R125CP	SP000095275	IPA60R125CPXKSA1	PG-TO220-3
IPA60R125P6	SP001114652	IPA60R125P6XKSA1	PG-TO220-3
IPA60R160C6	SP000652794	IPA60R160C6XKSA1	PG-TO220-3
IPA60R160P6	SP001017082	IPA60R160P6XKSA1	PG-TO220-3
IPA60R165CP	SP000096437	IPA60R165CPXKSA1	PG-TO220-3
IPA60R190C6	SP000621152	IPA60R190C6XKSA1	PG-TO220-3
IPA60R190E6	SP000797380	IPA60R190E6XKSA1	PG-TO220-3
IPA60R190P6	SP001017080	IPA60R190P6XKSA1	PG-TO220-3
IPA60R199CP	SP000094146	IPA60R199CPXKSA1	PG-TO220-3
IPA60R230P6	SP001017078	IPA60R230P6XKSA1	PG-TO220-3
IPA60R250CP	SP000310226	IPA60R250CPXKSA1	PG-TO220-3
IPA60R280C6	SP000645030	IPA60R280C6XKSA1	PG-TO220-3
IPA60R280E6	SP000797292	IPA60R280E6XKSA1	PG-TO220-3
IPA60R280P6	SP001017076	IPA60R280P6XKSA1	PG-TO220-3
IPA60R299CP	SP000096438	IPA60R299CPXKSA1	PG-TO220-3

Customer Information Package

3_cip14143a

PCN 2014-143-A

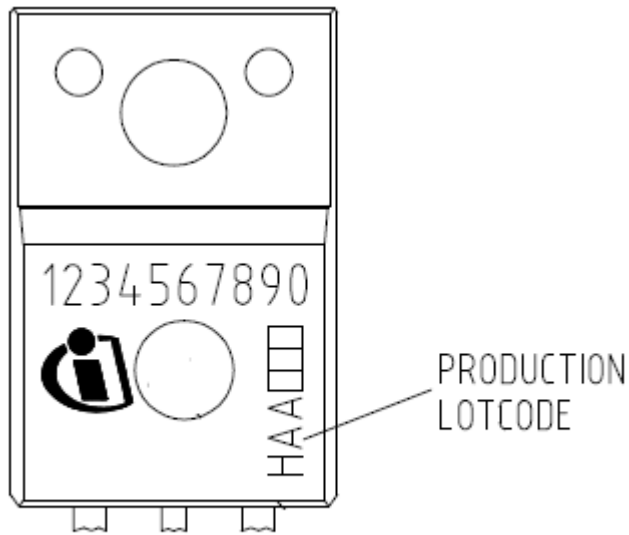
Implementation of TO220 Fullpak products in Nantong Fujitsu Microelectronics Co., Ltd. (NFME) for CoolMOS™ and OptiMOS™ products

2015-05-15

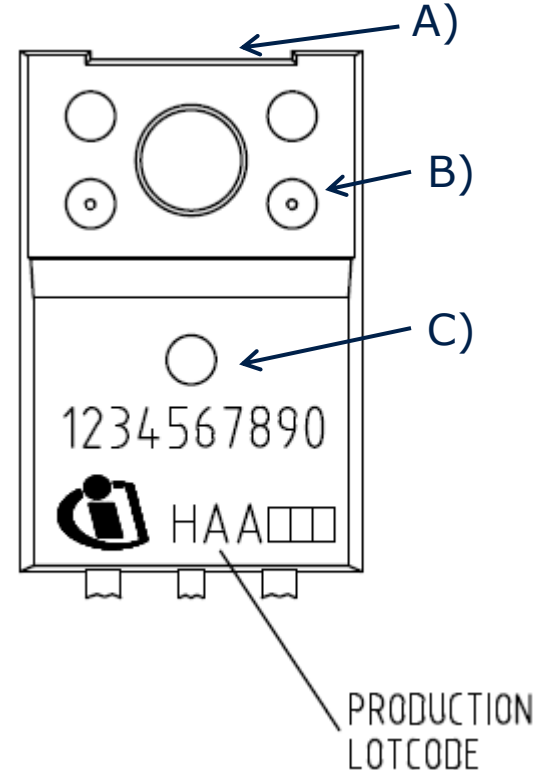


Package Visual Appearance

TO220-3-111 and TO220-3-121
(IFX Malaysia)



TO220-3-313 (NFME)



- ❑ NFME's package has
 - A) a special mold gate slot
 - B) two extra round marks – from the filling process
 - C) different pin mark location



ENERGY EFFICIENCY MOBILITY SECURITY

Innovative semiconductor solutions for energy efficiency, mobility and security.

