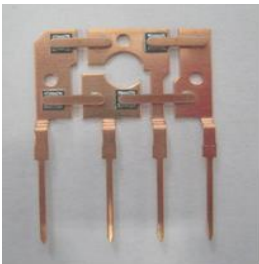
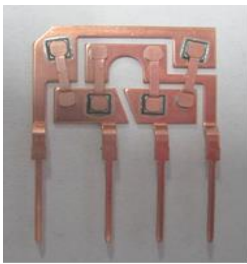




## GSIB5S Lead Frame Consolidation and Wafer Dicing Process Integration for Bridge Rectifier

### DESCRIPTION OF CHANGE:

Vishay Diodes Division will consolidate lead frame structure for Bridge rectifier GSIB6A ~ 25 (-E3) products and change the marking method from UV ink to laser. Please refer to photos below for detail structures and markings. In addition, the wafer dicing process will be integrated in the assembly location for eliminating potential dice damage during transportation.

Current Structure	New Structure	Current (UV ink)	New (Laser Marking)
			

### CLASSIFICATION OF CHANGE:

Assembly process/structure/markings

### REASON FOR CHANGE:

Consolidation and Delivery improvement.

### EXPECTED INFLUENCE ON QUALITY/RELIABILITY/PERFORMANCE:

No change in quality and reliability performance

### PRODUCT CATEGORY:

Bridge Rectifier

### PART NUMBERS/SERIES/FAMILIES AFFECTED:

➤ Lead frame Consolidation, Laser Marking and wafer dicing Process Integration

Material	Material	Material	Material
GSIB1520-E3/45	GSIB15A60-E3/45	GSIB2520-E3/45	GSIB660-E3/45
GSIB1540-E3/45	GSIB15A60L-81E3/45	GSIB2540-E3/45	GSIB680-E3/45
GSIB1560-E3/45	GSIB15A80-E3/45	GSIB2560-E3/45	GSIB6A20-E3/45
GSIB1580-5401E3/45	GSIB2020-E3/45	GSIB2580-5401E3/45	GSIB6A40-E3/45
GSIB1580-E3/45	GSIB2040-E3/45	GSIB2580-E3/45	GSIB6A60-E3/45
GSIB15A20-E3/45	GSIB2060-E3/45	GSIB620-E3/45	GSIB6A60L-803E3/45
GSIB15A40-E3/45	GSIB2080-E3/45	GSIB640-E3/45	GSIB6A80-E3/45



# Product Change Notification



Product Group: Diodes Division /Jan 14, 2015/ PCN-DD-004-2015 Rev 0

➤ Wafer dicing process integration

Material	Material	Material	Material	Material
G3SBA20-E3/45	GBU4B-E3/51	GBU6A-M3/45	GBU8A-M3/45	GBU8M-M3/51
G3SBA20-E3/51	GBU4B-M3/45	GBU6A-M3/51	GBU8A-M3/51	GSIB1520N-M3/45
G3SBA20L-E3/51	GBU4B-M3/51	GBU6B-E3/45	GBU8B-E3/45	GSIB1540N-M3/45
G3SBA20-M3/45	GBU4D-E3/45	GBU6B-E3/51	GBU8B-E3/51	GSIB1560N-M3/45
G3SBA20-M3/51	GBU4D-E3/51	GBU6B-M3/45	GBU8B-M3/45	GSIB1580N-M3/45
G3SBA60-E3/45	GBU4D-M3/45	GBU6B-M3/51	GBU8B-M3/51	GSIB15A20N-M3/45
G3SBA60-E3/51	GBU4D-M3/51	GBU6D-E3/45	GBU8D-E3/45	GSIB15A40N-M3/45
G3SBA60-M3/45	GBU4G-E3/45	GBU6D-E3/51	GBU8D-E3/51	GSIB15A60N-M3/45
G3SBA60-M3/51	GBU4G-E3/51	GBU6D-M3/45	GBU8D-M3/45	GSIB15A80N-M3/45
G3SBA80-E3/45	GBU4G-M3/45	GBU6D-M3/51	GBU8D-M3/51	GSIB2020N-M3/45
G3SBA80-E3/51	GBU4G-M3/51	GBU6G-E3/45	GBU8G-E3/45	GSIB2040N-M3/45
G3SBA80-M3/45	GBU4J-E3/45	GBU6G-E3/51	GBU8G-E3/51	GSIB2060N-M3/45
G3SBA80-M3/51	GBU4J-E3/51	GBU6G-M3/45	GBU8G-M3/45	GSIB2080N-M3/45
G5SBA20-E3/45	GBU4JL-6088E3/51	GBU6G-M3/51	GBU8G-M3/51	GSIB2520N-M3/45
G5SBA20-E3/51	GBU4J-M3/45	GBU6J-E3/45	GBU8J-7000E3/45	GSIB2540N-M3/45
G5SBA20-M3/45	GBU4J-M3/51	GBU6J-E3/51	GBU8J-E3/45	GSIB2560N-M3/45
G5SBA20-M3/51	GBU4K-7002E3/51	GBU6J-M3/45	GBU8J-E3/51	GSIB2580N-M3/45
G5SBA60-E3/45	GBU4K-E3/45	GBU6J-M3/51	GBU8J-M3/45	GSIB620N-M3/45
G5SBA60-E3/51	GBU4K-E3/51	GBU6K-E3/45	GBU8J-M3/51	GSIB640N-M3/45
G5SBA60-M3/45	GBU4KL-7014E3/45	GBU6K-E3/51	GBU8K-7000E3/45	GSIB660N-M3/45
G5SBA60-M3/51	GBU4K-M3/45	GBU6K-M3/45	GBU8K-7001E3/45	GSIB680N-M3/45
G5SBA80-E3/45	GBU4K-M3/51	GBU6K-M3/51	GBU8K-E3/45	GSIB6A20N-M3/45
G5SBA80-E3/51	GBU4M-7001E3/51	GBU6M-E3/45	GBU8K-E3/51	GSIB6A40N-M3/45
G5SBA80-M3/45	GBU4M-E3/45	GBU6M-E3/51	GBU8K-M3/45	GSIB6A60N-M3/45
G5SBA80-M3/51	GBU4M-E3/51	GBU6ML-5301E3/51	GBU8K-M3/51	GSIB6A80N-M3/45
GBU4A-E3/45	GBU4ML-7001E3/51	GBU6ML-7001E3/45	GBU8M-E3/45	
GBU4A-E3/51	GBU4M-M3/45	GBU6M-M3/45	GBU8M-E3/51	
GBU4A-M3/45	GBU4M-M3/51	GBU6M-M3/51	GBU8ML-7001E3/51	
GBU4A-M3/51	GBU6A-E3/45	GBU8A-E3/45	GBU8ML-7014E3/45	
GBU4B-E3/45	GBU6A-E3/51	GBU8A-E3/51	GBU8M-M3/45	

**VISHAY BRAND:**

Vishay General Semiconductor



# Product Change Notification



Product Group: Diodes Division /Jan 14, 2015/ PCN-DD-004-2015 Rev 0

**TIME SCHEDULE:**

Start conversion date: March 15, 2015.

**SAMPLE AVAILABILITY:**

Sample Available

**PRODUCT IDENTIFICATION:**

No Applicable

**QUALIFICATION DATA:**

Available upon request

**RESPONSE DATE:**

This PCN is considered approved, without further notification, unless we receive specific customer concerns before **March 14, 2015** or as specified by contract.

**ISSUED BY:**

RS Chin, Product Marketing Director – Standard Rectifier

**For further information, please contact your regional Vishay office.**

**Contact Information:****The Americas**

Vishay Semiconductors  
150 Motor Parkway, Suite 101E  
Hauppauge, NY11788 USA  
Phone :631 300 3816  
Fax : 631 300 3843  
[Diodes-Americas@vishay.com](mailto:Diodes-Americas@vishay.com)

**Europe**

Vishay Semiconductors  
Theresienstrasse 2  
D-74072 Heilbronn, Germany  
Phone : +49 7131 67 3364 (or 3365)  
Fax: +49 7131 67 2807  
[Diodes-Europe@vishay.com](mailto:Diodes-Europe@vishay.com)

**Asia/Pacific**

Vishay Semiconductors  
15D, Sun Tong Infoport Plaza  
55 Huai Hai West Road, Shanghai, China  
Phone: +86 138 1787 2112  
Fax: +86 21 5258 7979  
[Diodes-Asia@vishay.com](mailto:Diodes-Asia@vishay.com)